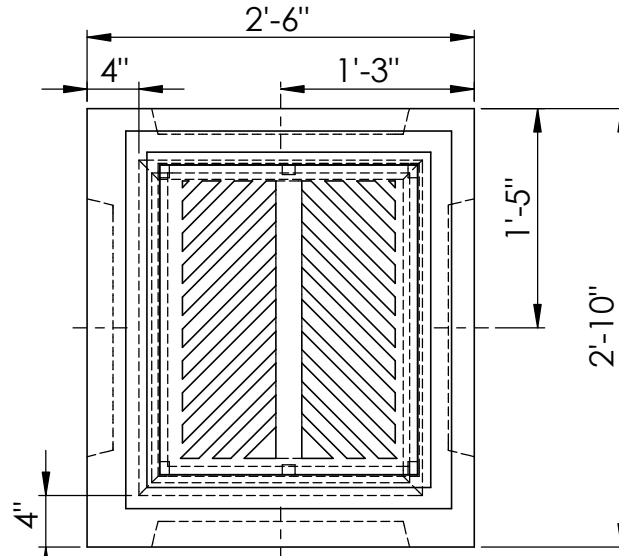
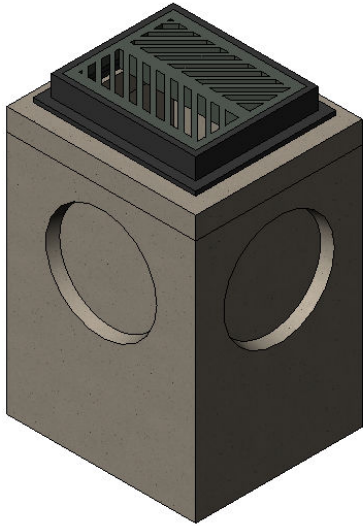




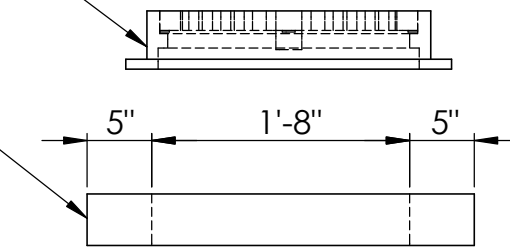
2215 E. BROOKLYN AVE - SPOKANE, WA 99217
 TOLL FREE 1-800-888-4573
 (509) 325-4573 FAX (509) 325-5098
 SPOKANE - LEWISTON - YAKIMA
www.wilbertprecast.com



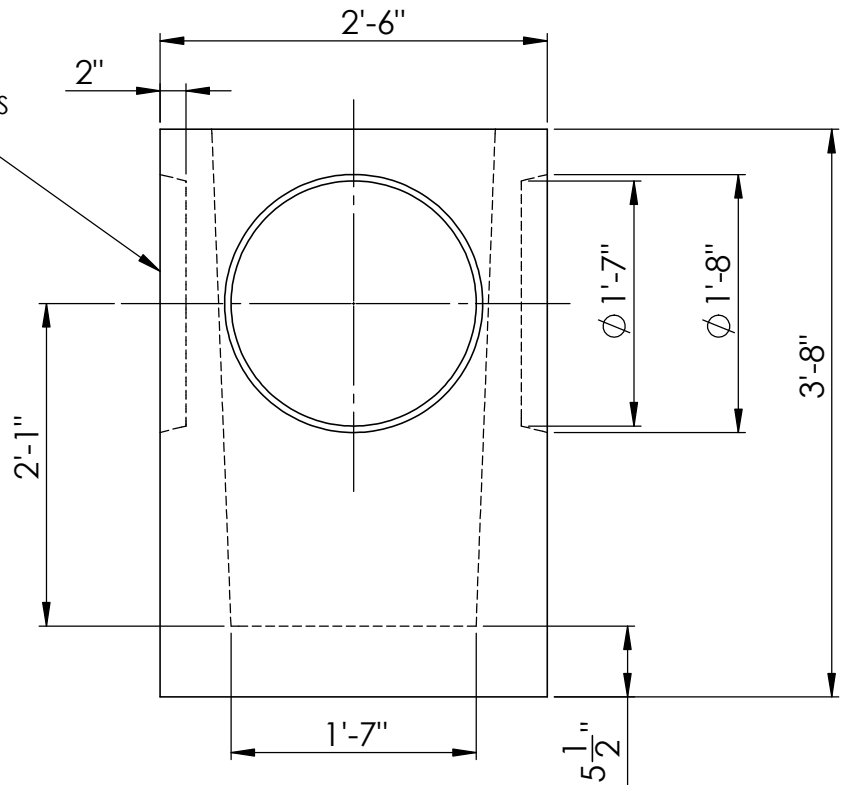
CAST-IRON INLET
 PRODUCT # 1230

RISER "S"

- 12" HIGH 565 LBS (PRODUCT # 1830)
- 6" HIGH 280 LBS (PRODUCT # 1831-6)
- 4" HIGH 190 LBS (PRODUCT # 1831-4)
- 2" HIGH 95 LBS (PRODUCT # 1831-2)



CATCH BASIN "TYPE 1" - 1,620 LBS
 PRODUCT # 1827



NOTES:

~ ALL UNITS MEET OR EXCEED
 THE REQUIREMENTS OF
 ASTM C-478 / AASHTO M-199
 & ASTM C-443

**TYPE 1 CATCH BASIN
 WSDOT STD PLAN B-5.20-00**

MODEL #:

1827