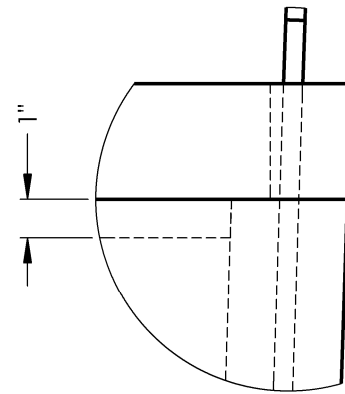
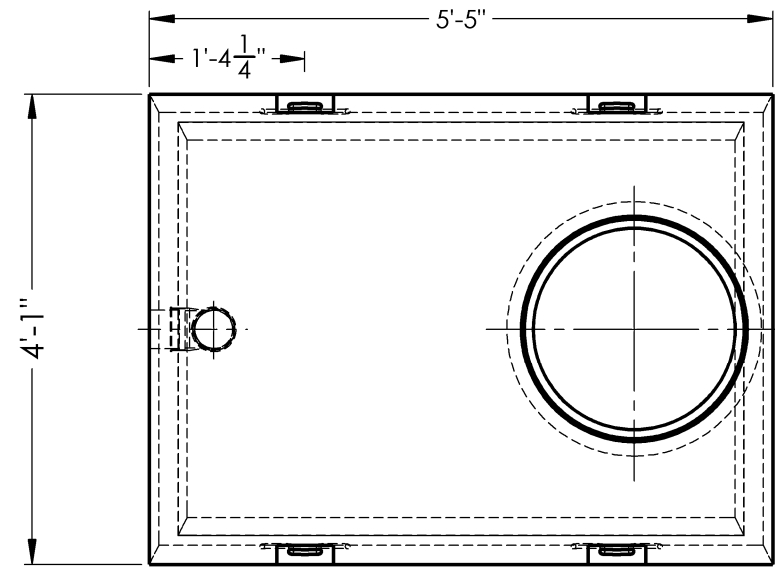
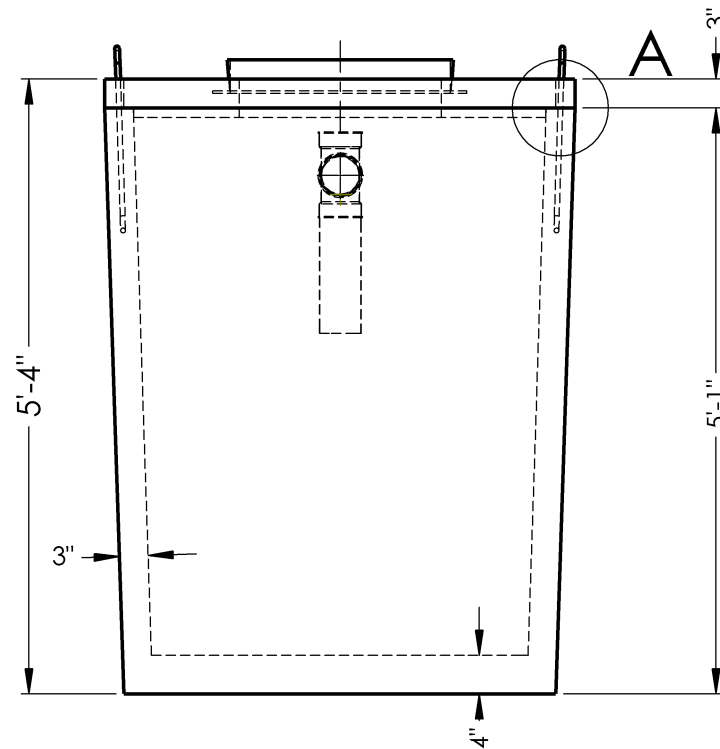
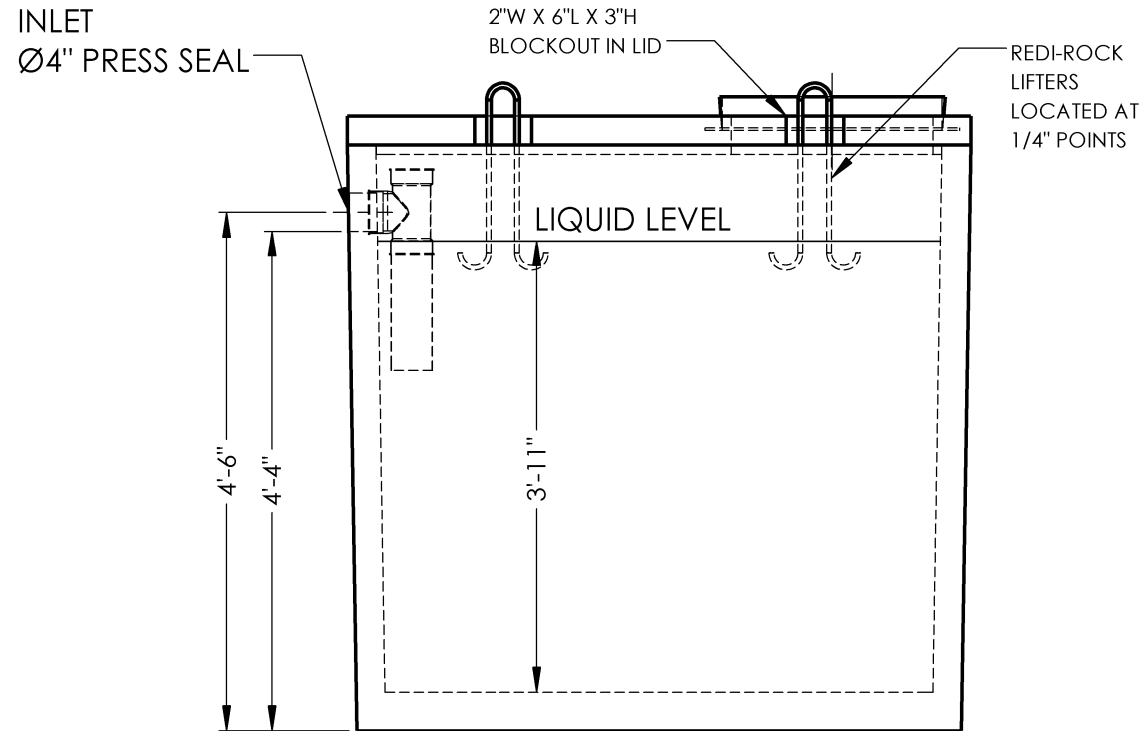
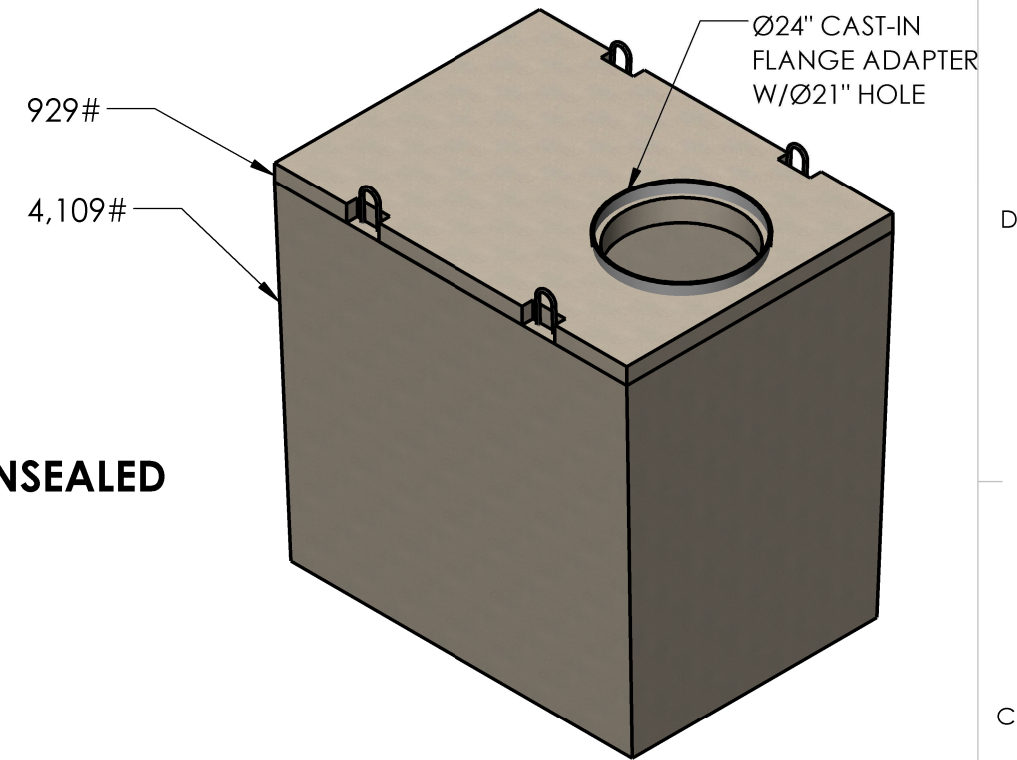


***WARRANTY - ALL TANKS MUST BE BACKFILLED AND COMPACTED PRIOR TO FILLING OR WARRANTY IS VOID.**



JOINT DETAIL A

**NOTE:
TANK IS UNSEALED**



- CONCRETE:**
TANK CONSTRUCTION UTILIZES 6000 PSI CONCRETE AND GRADE 60 REBAR.
- GALLON CALCS:**
3'-7"W x 4'-11"L x 3'-11"H x 7.48 = 515 GALLONS
- RISERS:**
PVC: Ø24" & FIBER COVER (TO GRADE)
CONCRETE: Ø24" x 8" OR 12" (6" BELOW GRADE)
- BEDDING:**
4" PEA GRAVEL (NO WATER PRESENT)
- EXCAVATION:**
12" LARGER EACH WAY THAN TANK DIM.
MAX COVER ON TOP 3'-0"

NOTES:
REINFORCEMENT:
-#4 BARS @ 6" O.C.E.W. IN TOP, (2) #4 EACH SIDE OF ACCESS
-6X6 GA. WIRE MESH IN SIDES UP 12" FROM BOTTOM
-6X6 GA. WIRE MESH IN BOTTOM
-#3 BAR 12" DOWN FROM TOP HORIZONTAL CONTINUOUS LOOP



2215 E. BROOKLYN AVE
SPOKANE, WA 99217
TOLL FREE 1-800-888-4573
(509) 325-4573 FAX (509) 325-5098
SPOKANE - LEWISTON - YAKIMA
www.wilbertprecast.com

DRAWN BY:
DCR

TITLE: 500 GALLON MONO PUMP CHAMBER

SIZE B	DWG. NO. #1601-500	SCALE: NTS	DATE: 3/15/2021
------------------	-----------------------	---------------	--------------------