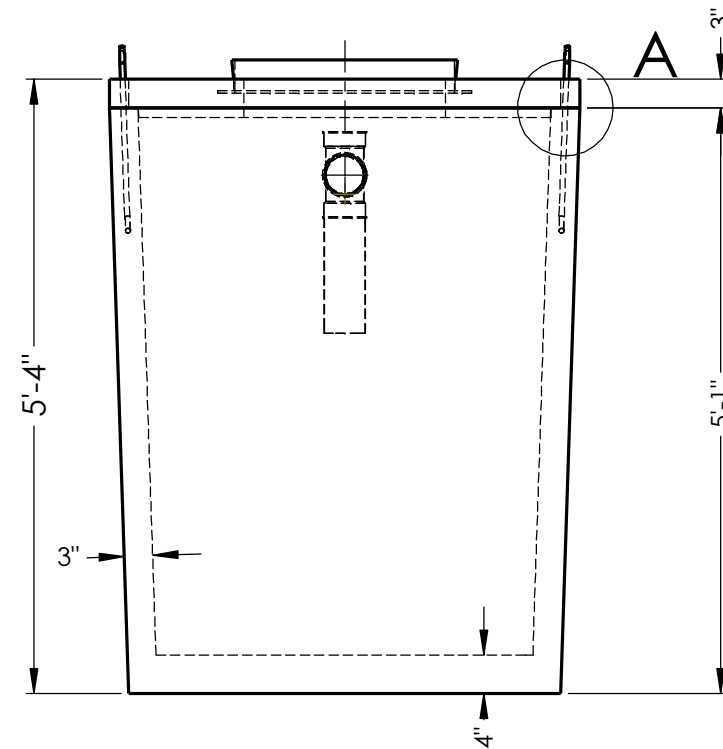
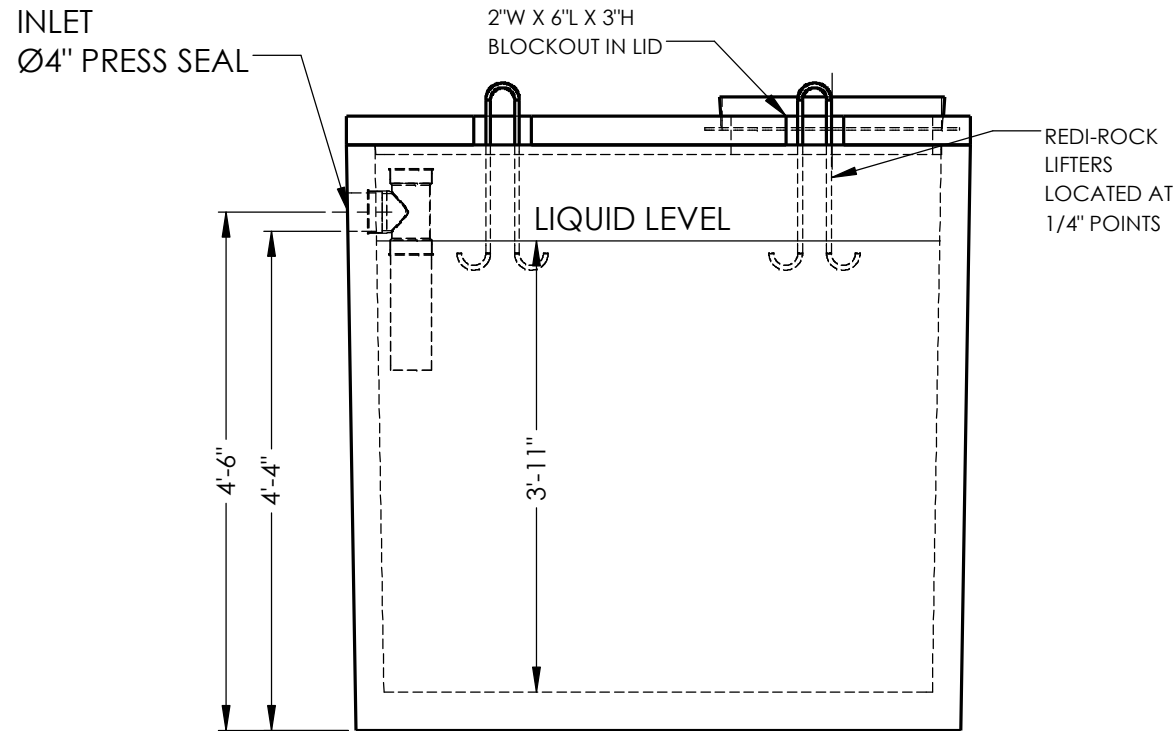
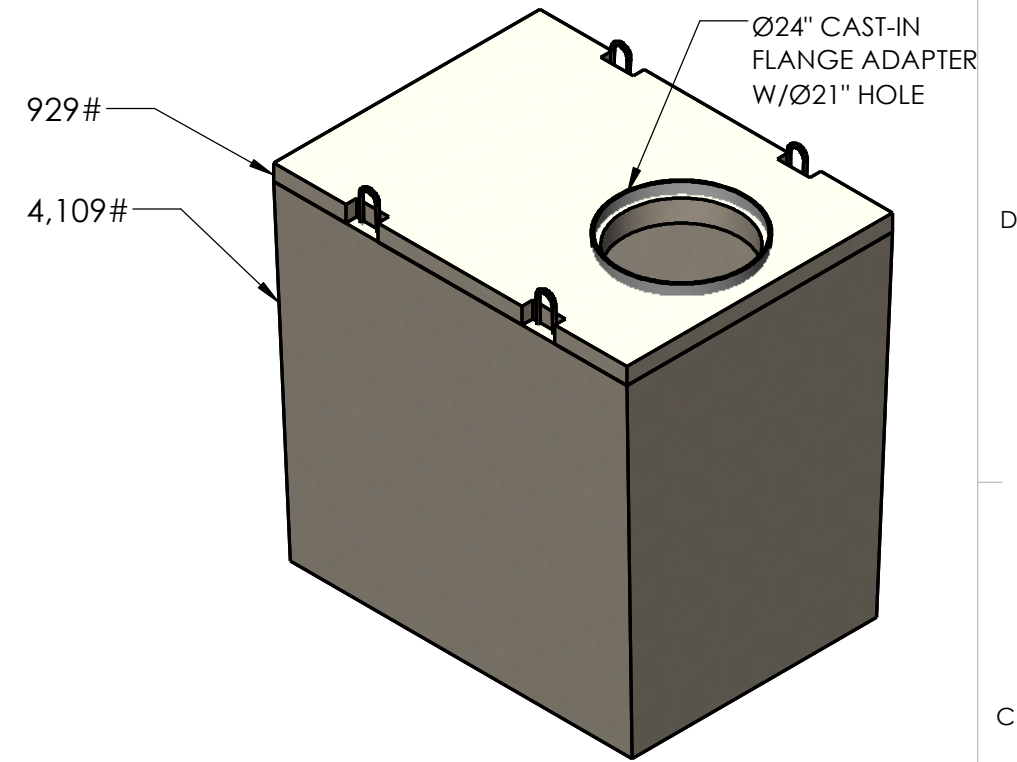


JOINT DETAIL A



NOTES:
 REINFORCEMENT:
 -#4 BARS @ 6" O.C.E.W. IN TOP, (2) #4 EACH SIDE OF ACCESS
 -6X6 GA. WIRE MESH IN SIDES UP 12" FROM BOTTOM
 -6X6 GA. WIRE MESH IN BOTTOM
 -#3 BAR 12" DOWN FROM TOP HORIZONTAL CONTINUOUS LOOP



2215 E. BROOKLYN AVE
 SPOKANE, WA 99217
 TOLL FREE 1-800-888-4573
 (509) 325-4573 FAX (509) 325-5098
 SPOKANE - LEWISTON - YAKIMA
 www.wilbertprecast.com

DRAWN BY:
 CEB

TITLE: 500 GALLON MONO PUMP CHAMBER

SIZE B	DWG. NO. #1601-500	SCALE: NTS	DATE: 10/25/2019
------------------	-----------------------	---------------	---------------------