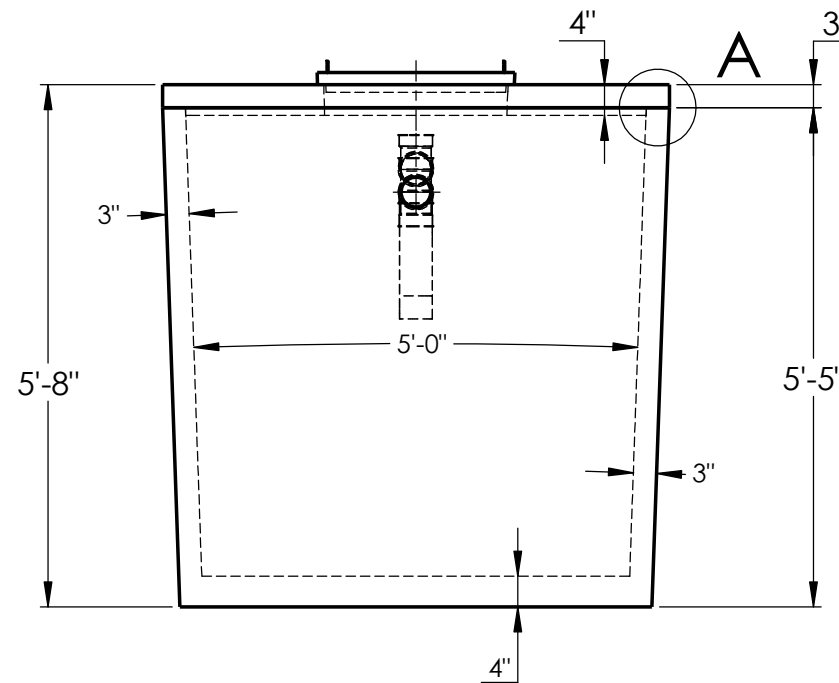
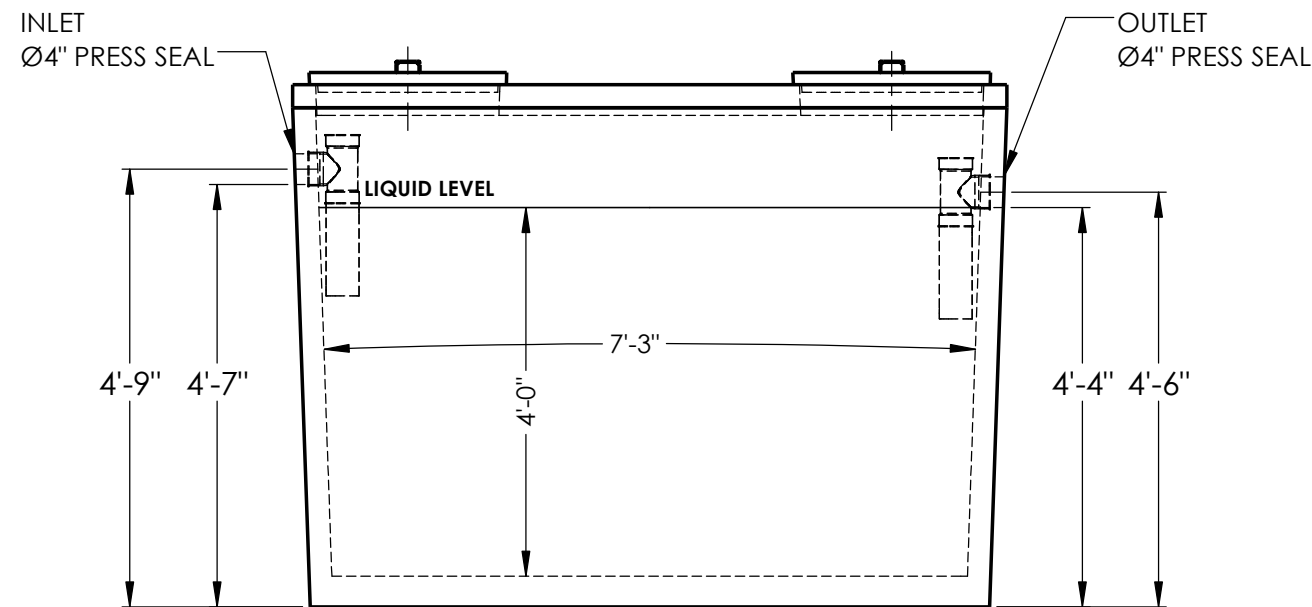
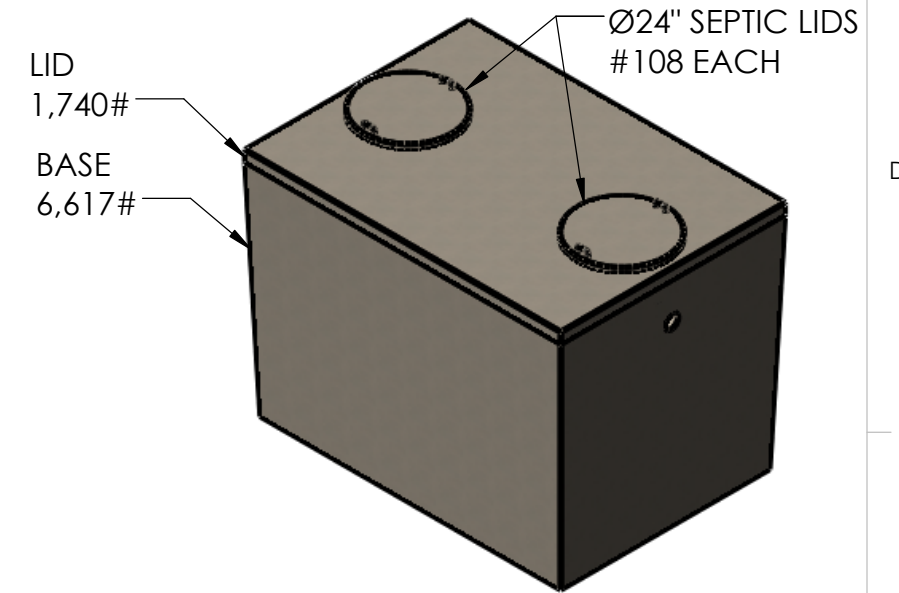
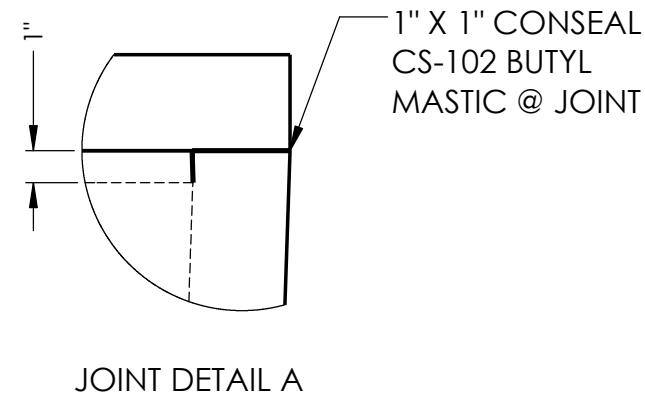
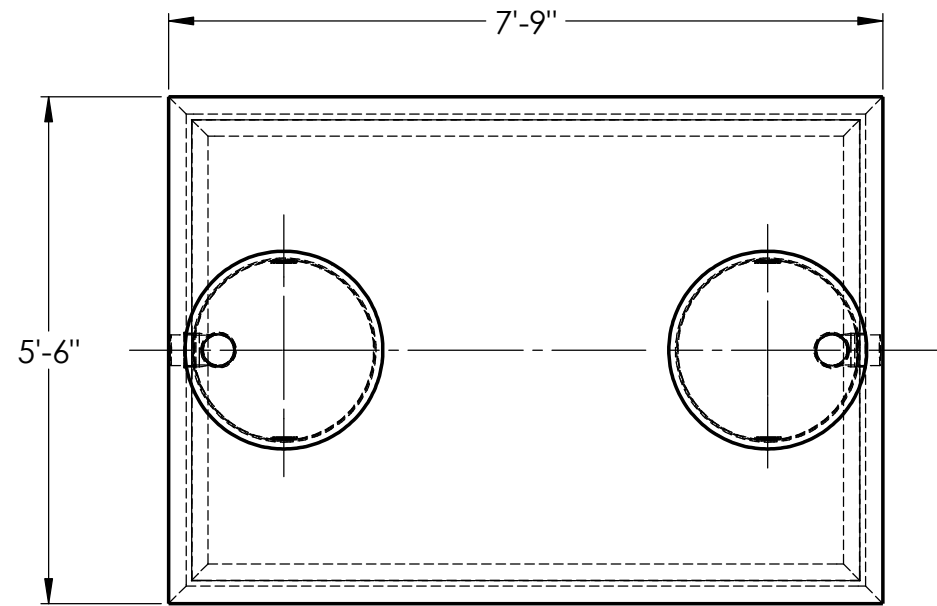


**\*WARRANTY - ALL TANKS MUST BE BACKFILLED AND COMPACTED PRIOR TO FILLING OR WARRANTY IS VOID.**



**CONCRETE:**  
TANK CONSTRUCTION UTILIZES 4000 PSI CONCRETE AND GRADE 60 REBAR.

**GALLON CALCS:**  
5'-0"W x 7'-3"L x 4'-0"H x 7.48 = 1085 GALLONS

**RISERS:**  
PVC: Ø24" & FIBER COVER (TO GRADE)  
CONCRETE: Ø24" x 8" OR 12" (6" BELOW GRADE)

**BEDDING:**  
4" PEA GRAVEL (NO WATER PRESENT)

**EXCAVATION:**  
12" LARGER EACH WAY THAN TANK DIM.  
MAX COVER ON TOP 3'-0"

**NOTES:**  
REINFORCING:  
- #4 BARS @ 6" O.C.E.W. IN TOP, (2) #4 EACH SIDE OF ACCESS  
- 6x6 10 GA WIRE MESH IN SIDES UP 12" FROM BOTTOM  
- 6x6 10 GA WIRE MESH IN BOTTOM  
- #3 BAR 12" DOWN FROM TOP  
HORIZONTAL CONTINUOUS LOOP



2215 E. BROOKLYN AVE  
SPOKANE, WA 99217  
TOLL FREE 1-800-888-4573  
(509) 325-4573 FAX (509) 325-5098  
SPOKANE - LEWISTON - YAKIMA  
www.wilbertprecast.com

DRAWN BY:  
CEB

TITLE: 1000 GALLON SINGLE COMPARTMENT MONO SEPTIC TANK

SIZE <b>B</b>	DWG. NO. #1604M	SCALE: NTS	DATE: 12/13/2017
------------------	--------------------	---------------	---------------------