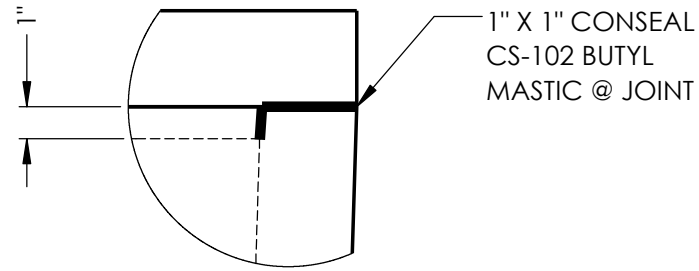
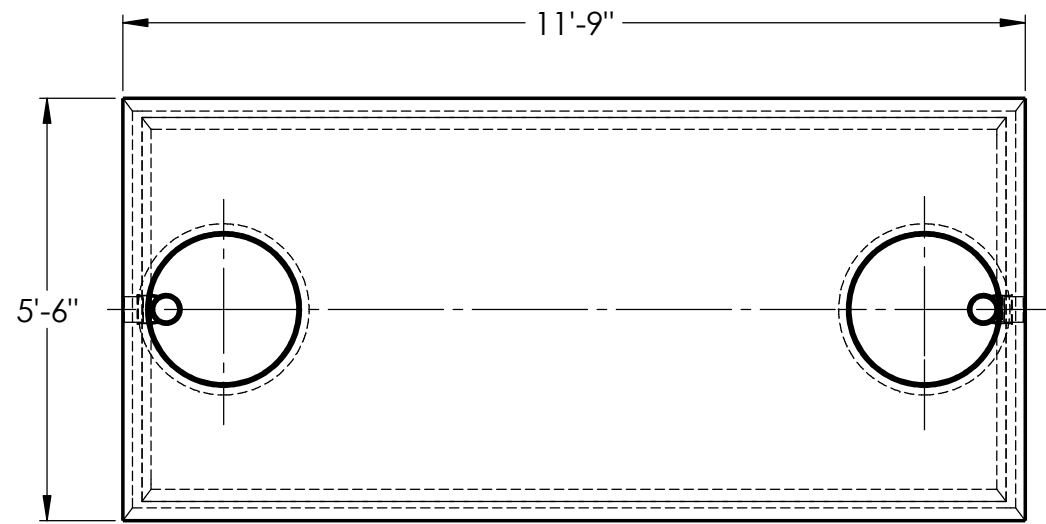
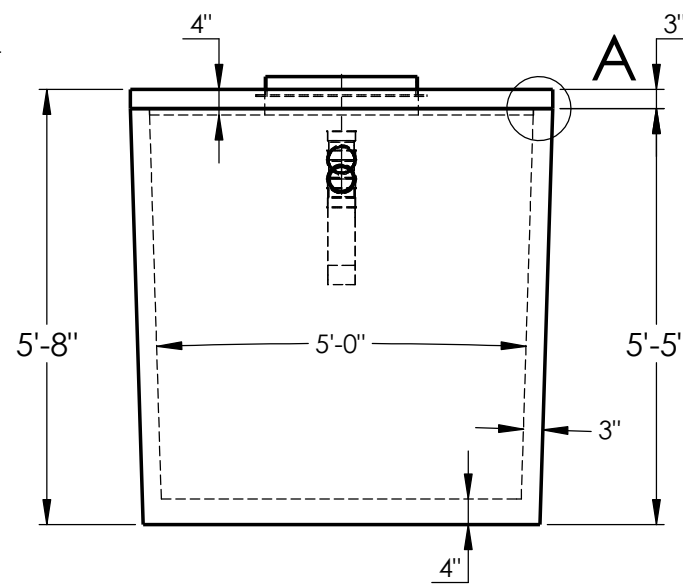
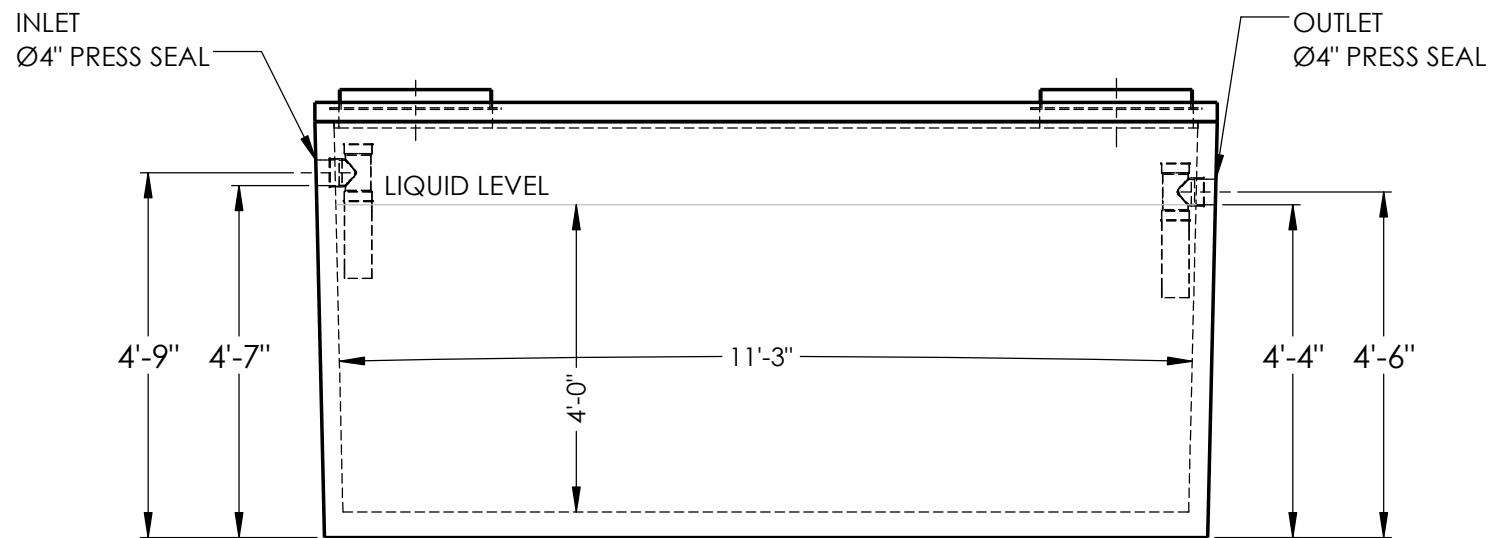
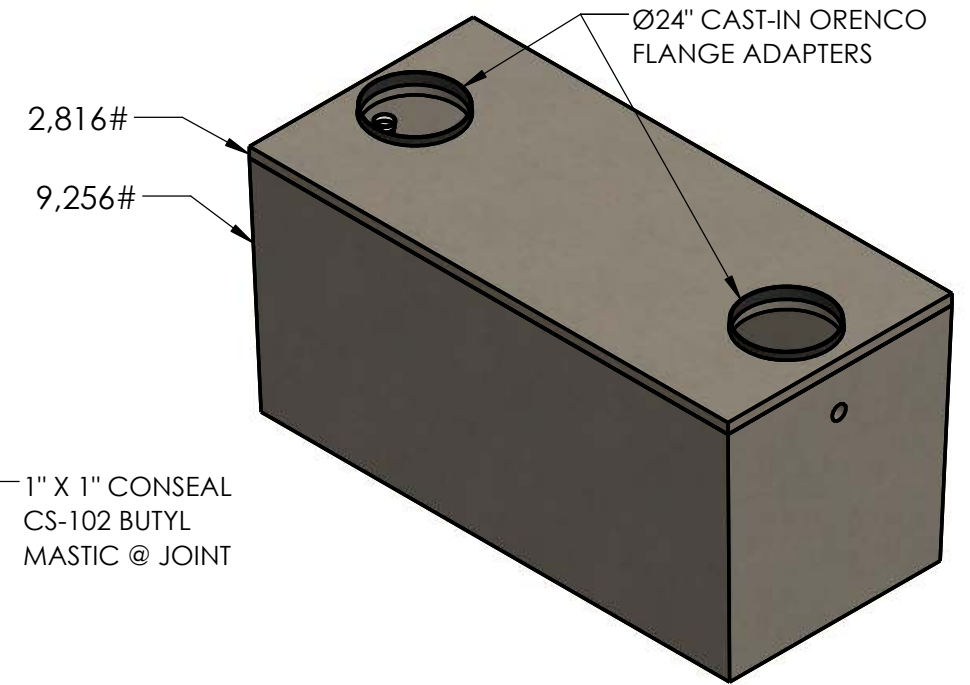


WARRANTY: ALL TANKS MUST BE BACKFILLED AND COMPACTED PRIOR TO FILLING OR WARRANTY IS VOID.



JOINT DETAIL A



CONCRETE:

TANK CONSTRUCTION UTILIZES 4000 PSI CONCRETE AND GRADE 60 REBAR

GALLON CALCS:

11'-3"L x 5'-0" x 4'-0"H x 7.48 = 1,683 GALLONS

RISERS:

PVC: Ø24" & FIBER COVER (TO GRADE)
CONCRETE: Ø24" X 8" OR 12" (6" BELOW GRADE)

BEDDING:

4" PEA GRAVEL OR COMPACTED CRUSHED GRAVEL (NO WATER PRESENT)

ECCAUTION:

12" LARGER EACH WAY THAN TANK DIM
MAX COVER ON TOP 3'-0"

NOTES:

- REINFORCING:
 - #4 BARS @ 6" O.C.E.W. IN TOP, (2) #4 EACH SIDE OF ACCESS
 - 6x6 10 GA WIRE MESH IN SIDES UP 12" FROM BOTTOM
 - 6x6 10 GA WIRE MESH IN BOTTOM
 - #3 BAR 12" DOWN FROM TOP
 HORIZONTAL CONTINUOUS LOOP



2215 E. BROOKLYN AVE
 SPOKANE, W99217
 TOLL FREE 1-800-888-4573
 (509) 325-4573 FAX (509) 325-5098
 SPOKANE - LEWISTON - YAKIMA
 www.wilbertprecast.com

TITLE:

1500 GALLON SINGLE COMPARTMENT
 MONO SEPTIC TANK W/2 FLANGES

SIZE

B

DWG. NO.

#1611M2F

DATE:

2/12/2018