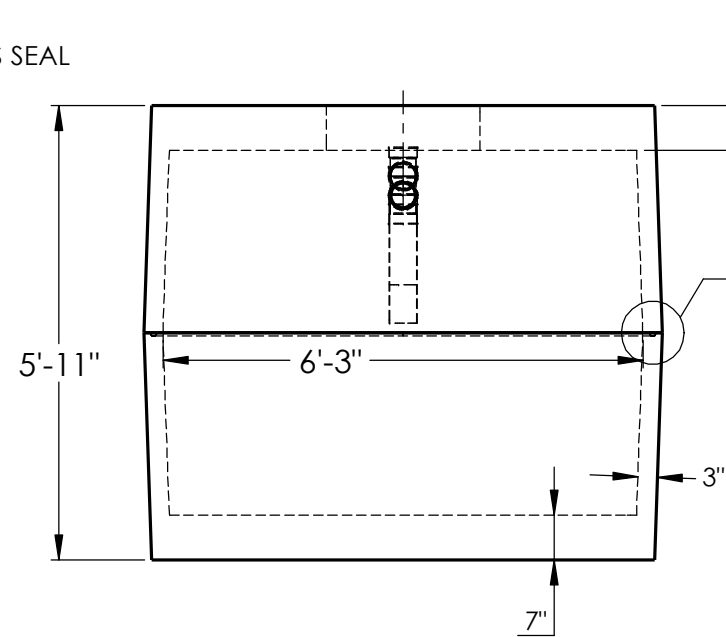
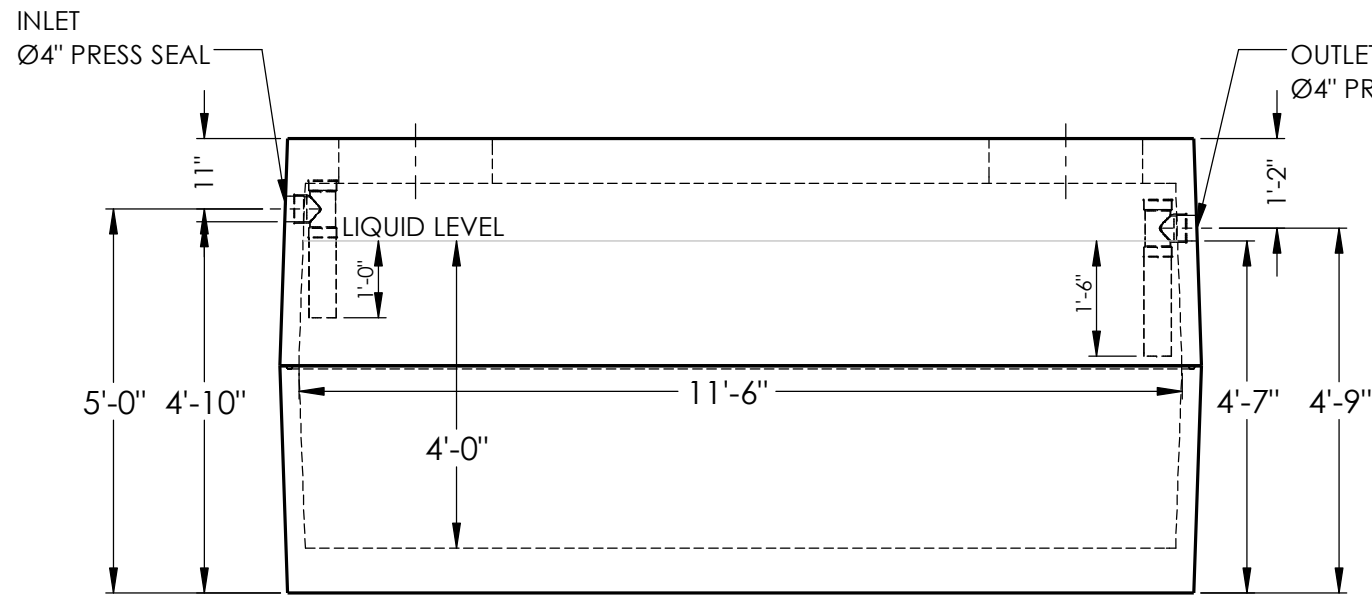
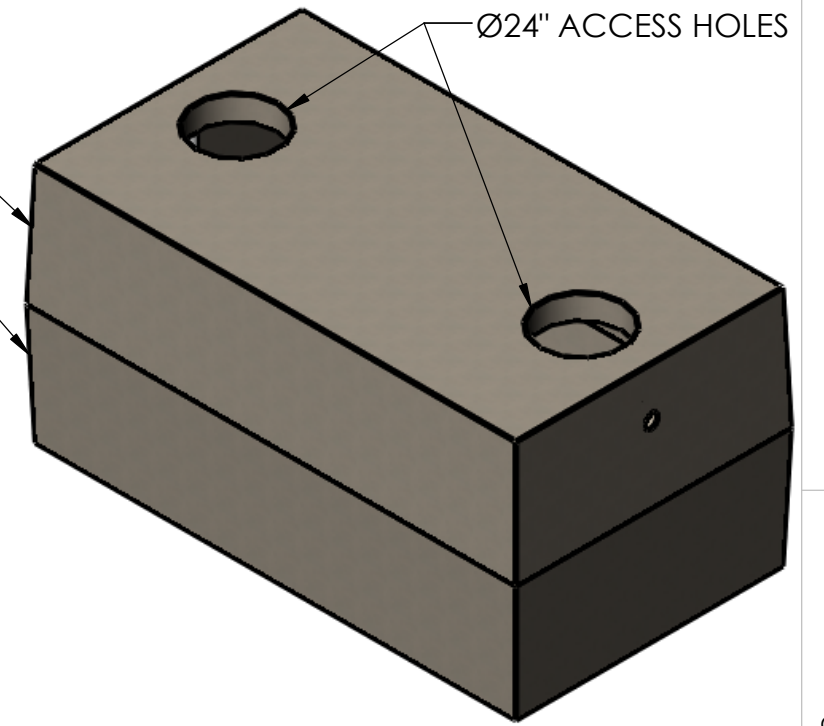


JOINT DETAIL A



- 7" CONCRETE:**
TANK CONSTRUCTION UTILIZES 4000 PSI CONCRETE AND GRADE 60 REBAR.
- GALLON CALCS:**
6'-3"W x 11'-6" x 4'-0"H x 7.48 = 2,151 GALLONS
- RISERS:**
PVC: Ø24" & FIB. COVER (TO GRADE)
CONCRETE: Ø24" x 8" OR 12" (6" BELOW GRADE)
- BEDDING:**
4" PEA GRAVEL OR COMPACTED CRUSHED GRAVEL (NO WATER PRESENT)
- EXCAVATION:**
12" LARGER EACH WAY THAN TANK DIM.
MAX COVER ON TOP 5'-0"

NOTES:
 REINFORCEMENT:
 -#5@5" O.C.E.W. IN TOP
 -6X6 10 GA. WIRE MESH IN SIDES & BOTTOM
 -#4@8" O.C.E.W. IN BOTTOM



2215 E. BROOKLYN AVE
 SPOKANE, WA 99217
 TOLL FREE 1-800-888-4573
 (509) 325-4573 FAX (509) 325-5098
 SPOKANE - LEWISTON - YAKIMA
 www.wilbertprecast.com

TITLE:		2000 GALLON SINGLE COMPARTMENT 2-PIECE SEPTIC TANK HEAVY	
SIZE	DWG. NO.	SCALE:	DATE:
B	#1614TB	NTS	12/23/2019

DRAWN BY:
DCR