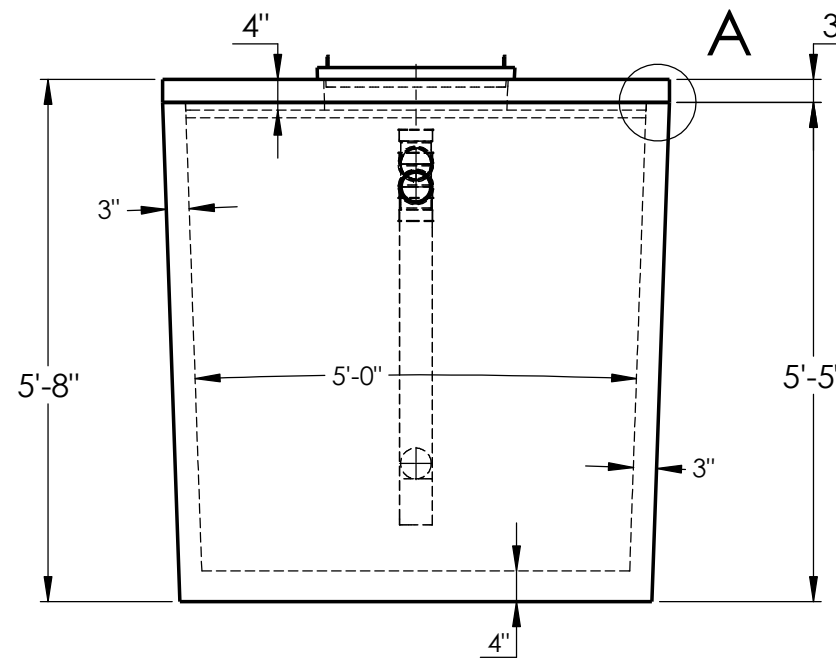
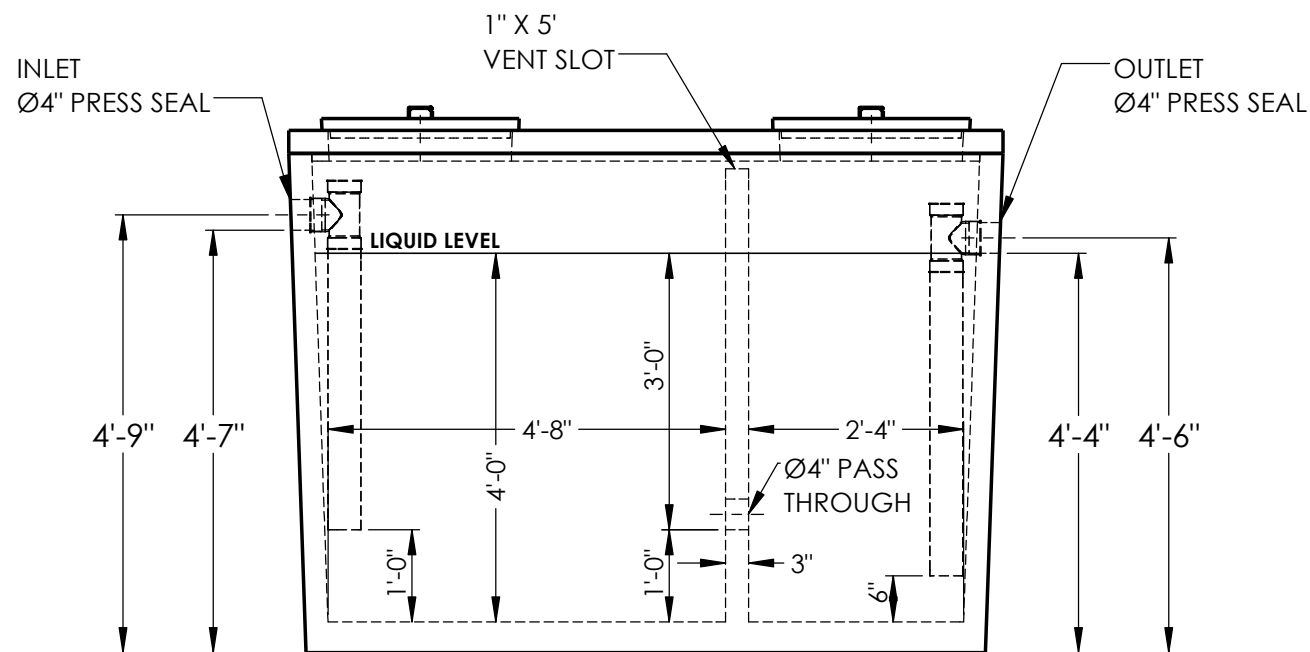
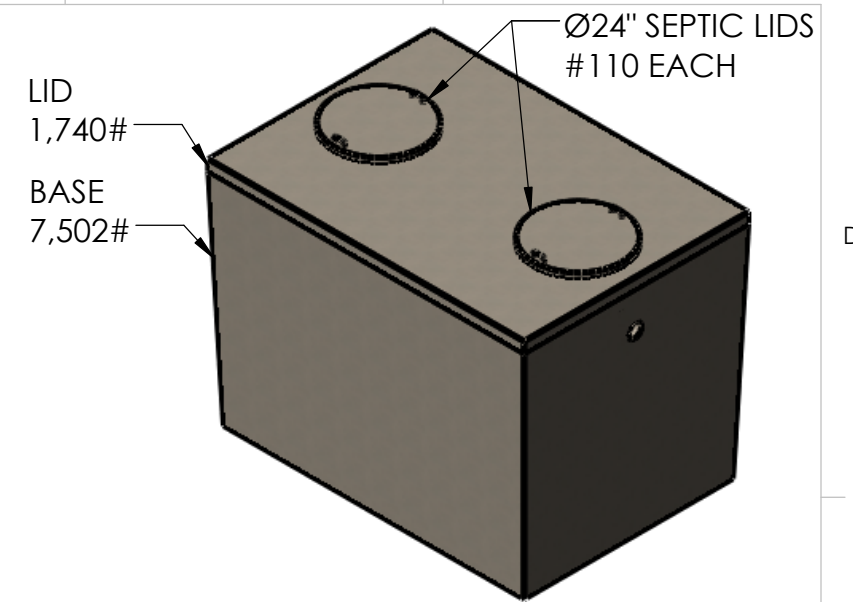
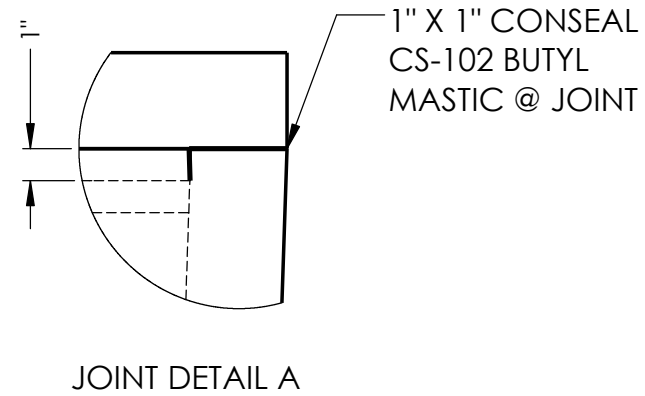
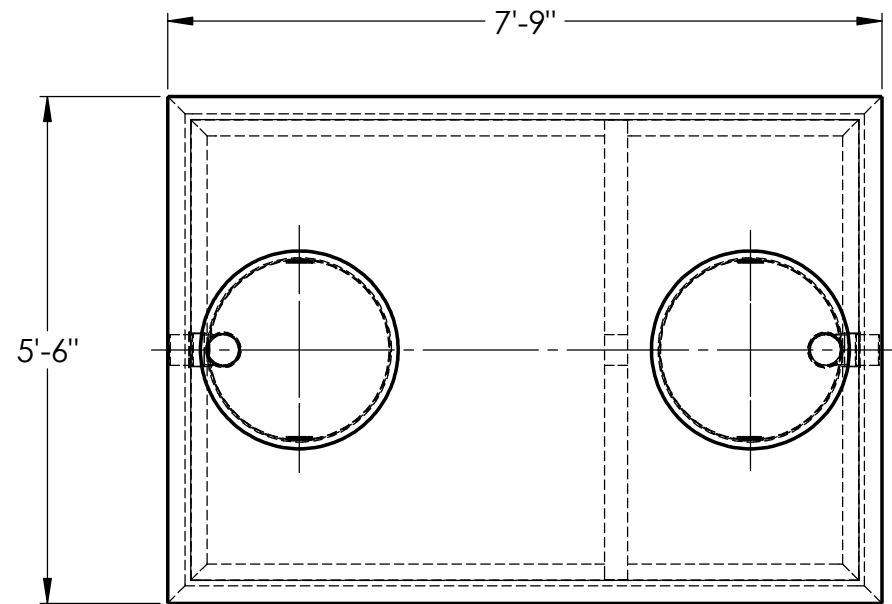


***WARRANTY - ALL TANKS MUST BE BACKFILLED AND COMPACTED PRIOR TO FILLING OR WARRANTY IS VOID.**



CONCRETE:
TANK CONSTRUCTION UTILIZES 4000 PSI
CONCRETE AND GRADE 60 REBAR.

GALLON CALCS:
5'-0"W x 4'-8"L x 4'-0"H x 7.48= 698 GALLONS
5'-0"W x 2'-4" x 4'-0"H x 7.48= 349 GALLONS

RISERS:
PVC: Ø24" & FIBER COVER (TO GRADE)
CONCRETE: Ø24" x 8" OR 12" (6" BELOW GRADE)

BEDDING:
4" PEA GRAVEL (NO WATER PRESENT)

EXCAVATION:
12" LARGER EACH WAY THAN TANK DIM.
MAX COVER ON TOP 3'-0"

NOTES:
REINFORCING:
- #4 BARS @ 6" O.C.E.W. IN TOP, (2) #4
EACH SIDE OF ACCESS
- 6x6 10 GA WIRE MESH IN SIDES UP 12"
FROM BOTTOM
- 6x6 10 GA WIRE MESH IN BOTTOM
- #3 BAR 12" DOWN FROM TOP
HORIZONTAL CONTINUOUS LOOP



2215 E. BROOKLYN AVE
SPOKANE, WA 99217
TOLL FREE 1-800-888-4573
(509) 325-4573 FAX (509) 325-5098
SPOKANE - LEWISTON - YAKIMA
www.wilbertprecast.com

DRAWN BY:
CEB

TITLE:
1000 GALLON OIL WATER SEPERATOR
MONO DOUBLE COMPARTMENT

| | | | |
|------------------|-------------------------|---------------|--------------------|
| SIZE B | DWG. NO. #1627MOW 4" | SCALE: NTS | DATE: 4/18/2018 |
|------------------|-------------------------|---------------|--------------------|