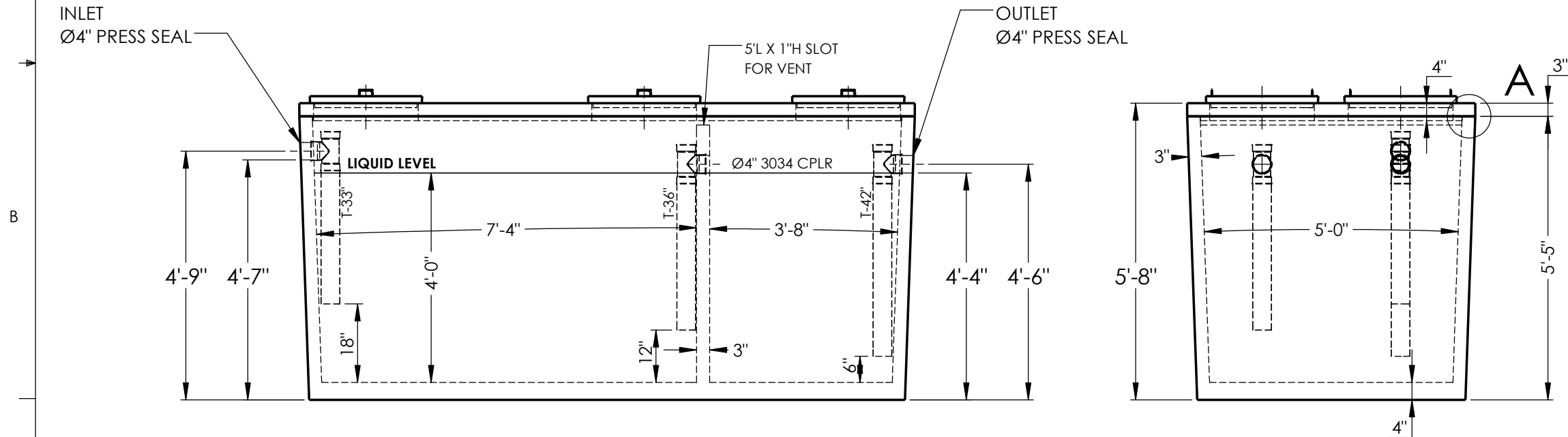


JOINT DETAIL A



**CONCRETE:**  
TANK CONSTRUCTION UTILIZES 4000 PSI CONCRETE AND GRADE 60 REBAR.

**GALLON CALCS:**  
5'-0" W x 7'-4" L x 4'-0" H x 7.48 = 1096 GALLONS  
5'-0" W x 3'-8" L x 4'-0" H x 7.48 = 548 GALLONS

**RISERS:**  
PVC : Ø24" & FIB. COVER (TO GRADE)  
CONCRETE: Ø24" x 8" OR 12" (6" BELOW GRADE)

**BEDDING :**  
4" PEA GRAVEL OR COMPACTED CRUSHED GRAVEL (NO WATER PRESENT)

**EXCAVATION:**  
12" LARGER EACH WAY THAN TANK DIM.  
MAX COVER ON TOP 3'-0"

**NOTES:**  
REINFORCEMENT:  
-#5 BARS @ 6" O.C.E.W. IN TOP, (2)  
#4 EACH SIDE OF ACCESS  
-6X6 10 GA WIRE MESH IN SIDES UP 12" FROM BOTTOM  
-6X6 10 GA WIRE MESH IN BOTTOM  
-#3 BAR 12" DOWN FROM TOP  
HORIZONTAL CONTINUOUS LOOP



2215 E. BROOKLYN AVE  
SPOKANE, WA 99217  
TOLL FREE 1-800-888-4573  
(509) 325-4573 FAX (509) 325-5098  
SPOKANE - LEWISTON - YAKIMA  
www.wilbertprecast.com

TITLE:		1500 GALLON DOUBLE COMPARTMENT MONO GREASE INTERCEPTOR	
SIZE	DWG. NO.	SCALE:	DATE:
<b>B</b>	#1634MGT 4"	NTS	3/12/2018

DRAWN BY:  
CEB