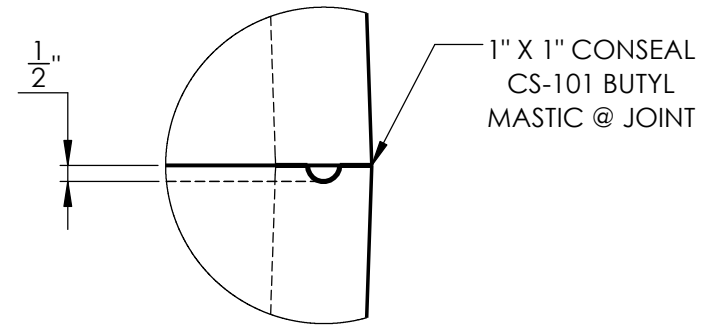
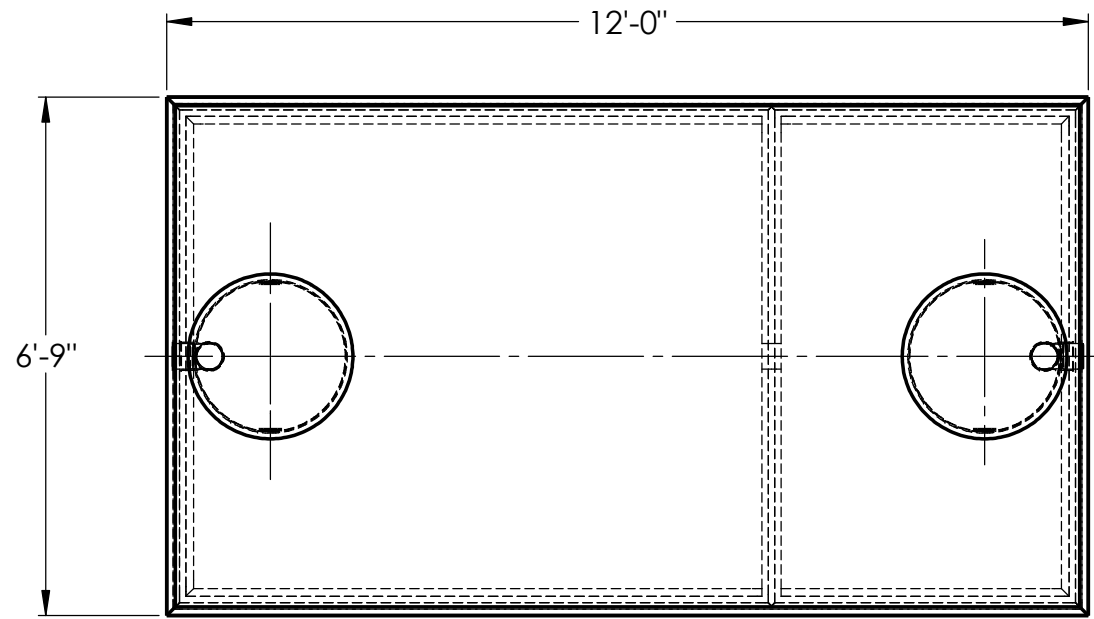
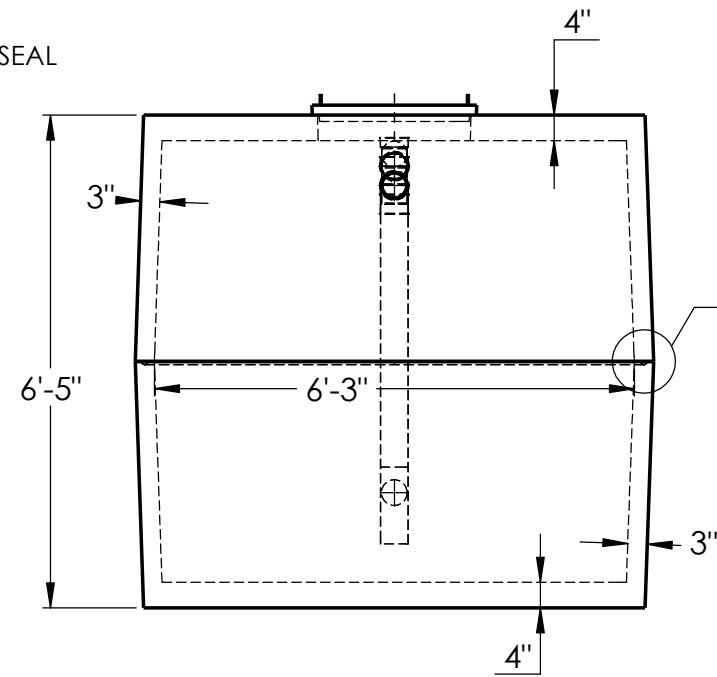
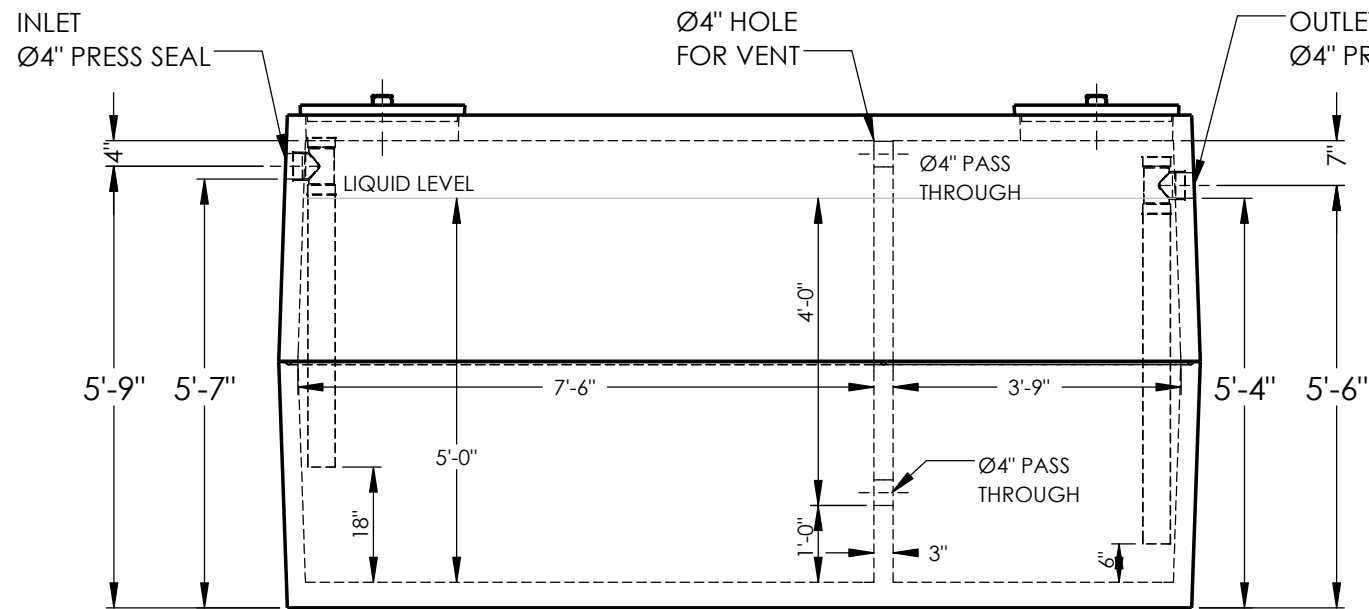
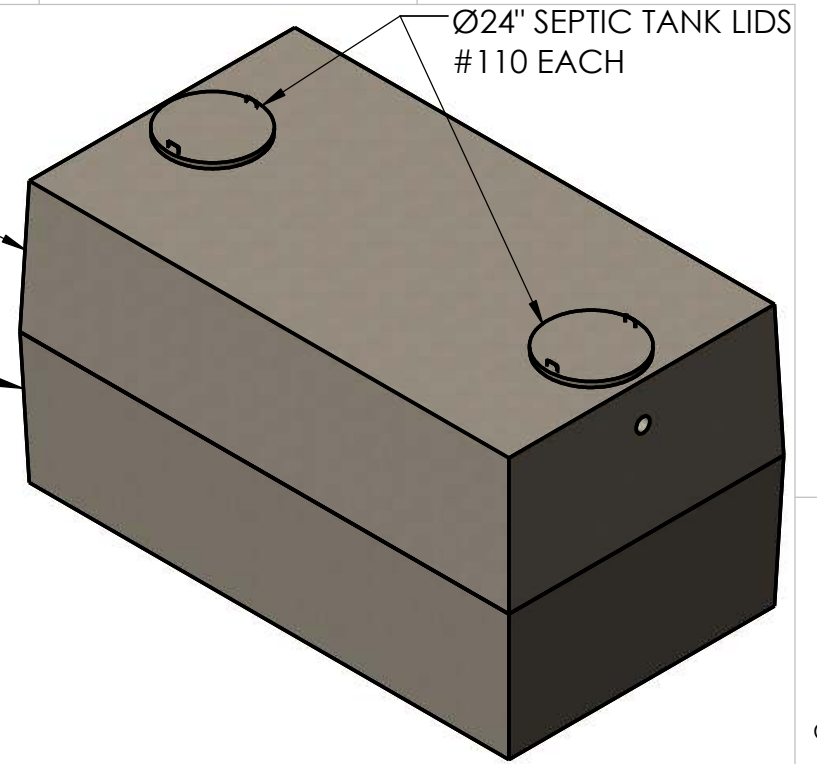


WARRANTY: ALL TANKS MUST BE BACKFILLED AND COMPACTED PRIOR TO FILLING OR WARRANTY IS VOID.



JOINT DETAIL A



- CONCRETE:**
TANK CONSTRUCTION UTILIZES 4000 PSI CONCRETE AND GRADE 60 REBAR.
- GALLON CALCS:**
6'-3"W x 7'-6"L x 5'-0"H x 7.48 = 1753 GALLONS
6'-3"W x 3'-9"L x 5'-0"H x 7.48 = 877 GALLONS
- RISERS:**
PVC: Ø24" & FIB. COVER (TO GRADE)
CONCRETE: Ø24" x 8" OR 12" (6" BELOW GRADE)
- BEDDING:**
4" PEA GRAVEL OR COMPACTED CRUSHED GRAVEL (NO WATER PRESENT)
- EXCAVATION:**
12" LARGER EACH WAY THAN TANK DIM.
MAX COVER ON TOP 3'-0"

NOTES:
REINFORCEMENT:
-#4 U-BARS @ 6" O.C.E.W. IN TOP, (2) #4 EACH SIDE OF ACCESS
-#4 BARS @ 6" O.C.E.W. IN SIDES
-#4 U-BARS @ 6" O.C.E.W. IN BOTTOM



2215 E. BROOKLYN AVE
SPOKANE, WA 99217
TOLL FREE 1-800-888-4573
(509) 325-4573 FAX (509) 325-5098
SPOKANE - LEWISTON - YAKIMA
www.wilbertprecast.com

DRAWN BY:
CEB

TITLE:
2500 GALLON DOUBLE COMPARTMENT
2-PIECE OIL/WATER SEPERATOR

SIZE B	DWG. NO. #1641OW 4"	SCALE: NTS	DATE: 6/12/2018
------------------	------------------------	---------------	--------------------