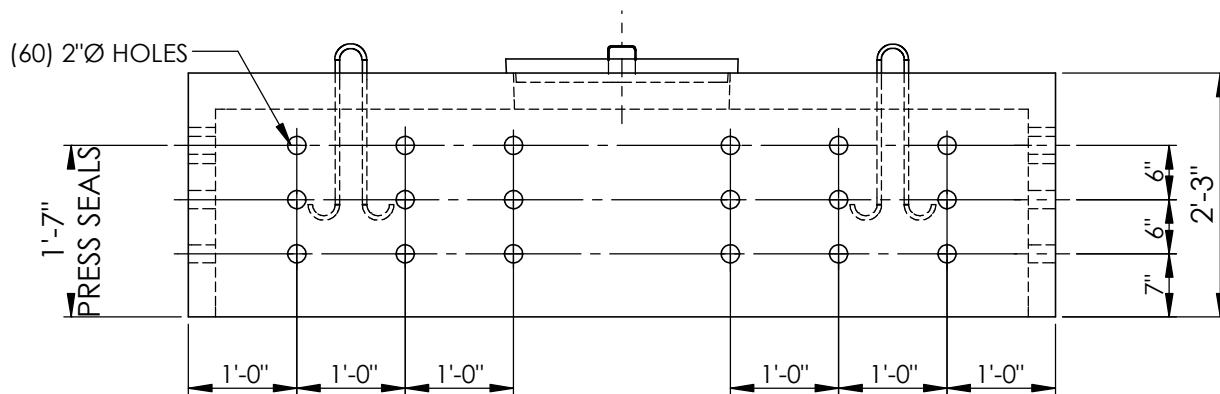
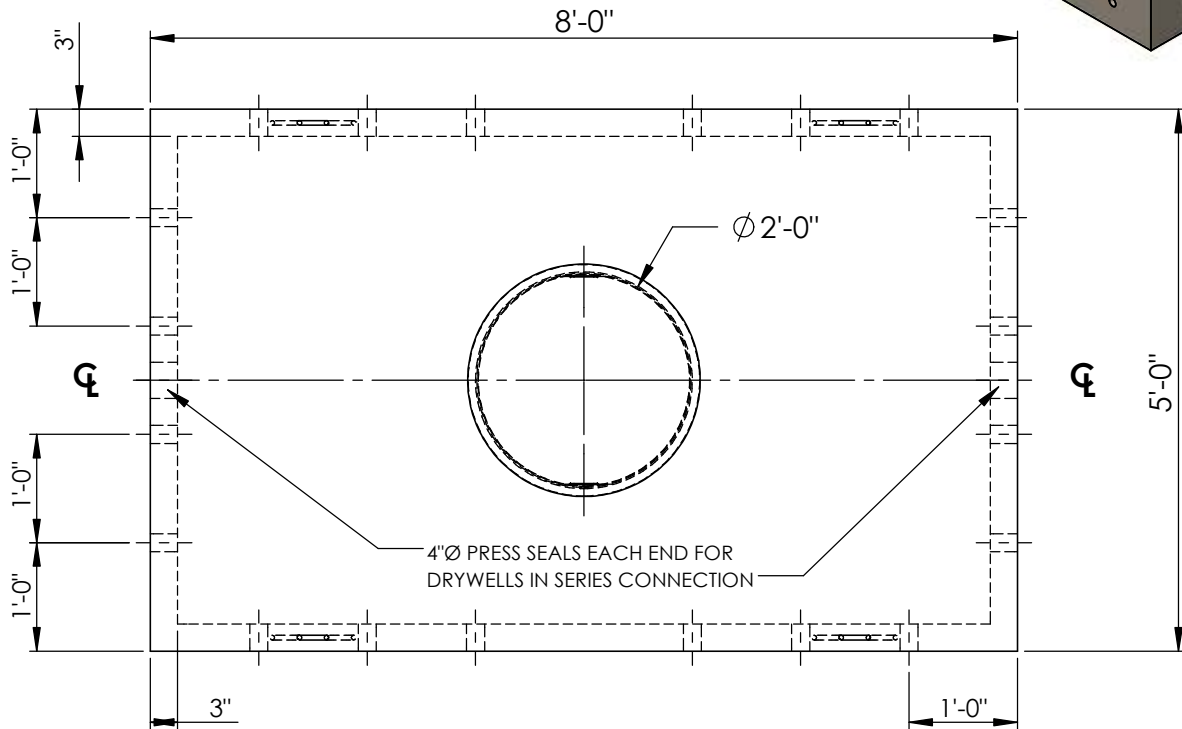
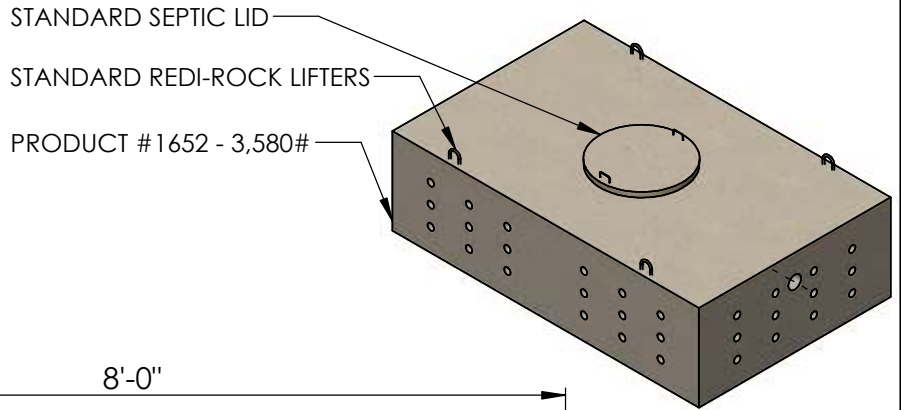




2215 E. BROOKLYN AVE - SPOKANE, WA 99217
TOLL FREE 1-800-888-4573
(509) 325-4573 FAX (509) 325-5098
SPOKANE - LEWISTON - YAKIMA
www.wilbertprecast.com



NOTES:

*REINFORCEMENT

- 6x6 10 GA. WIRE MESH IN SIDES & TOP

500 GALLON LOW PROFILE DRYWELL

MODEL #:

1652