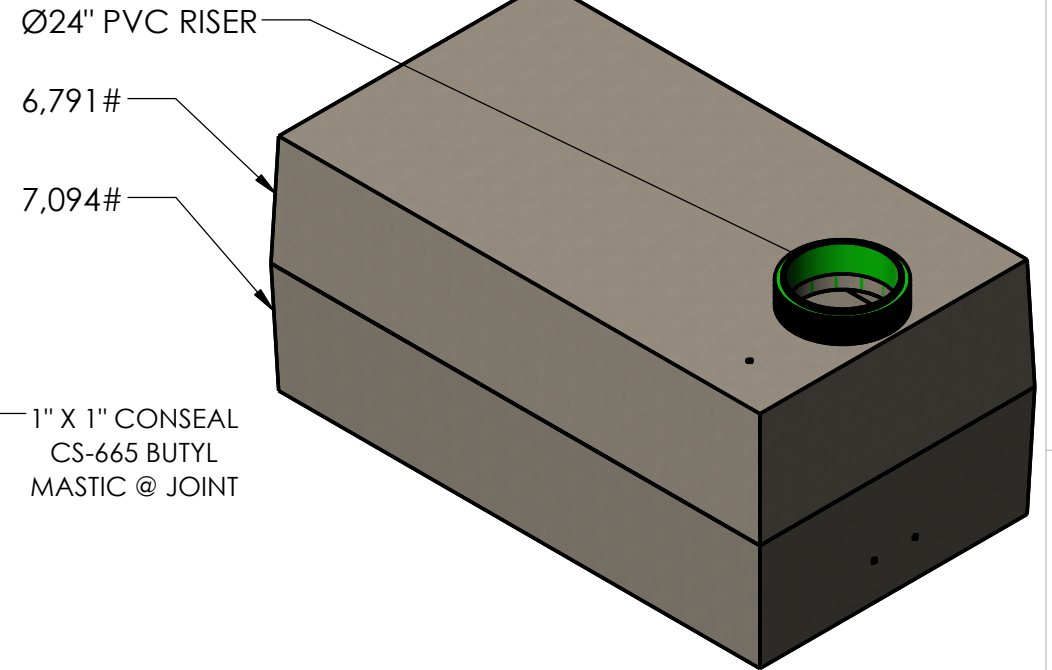
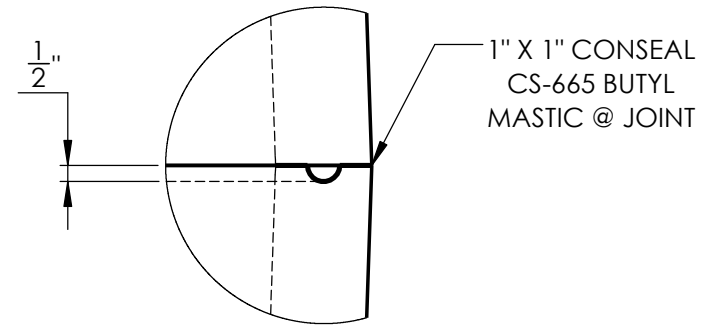
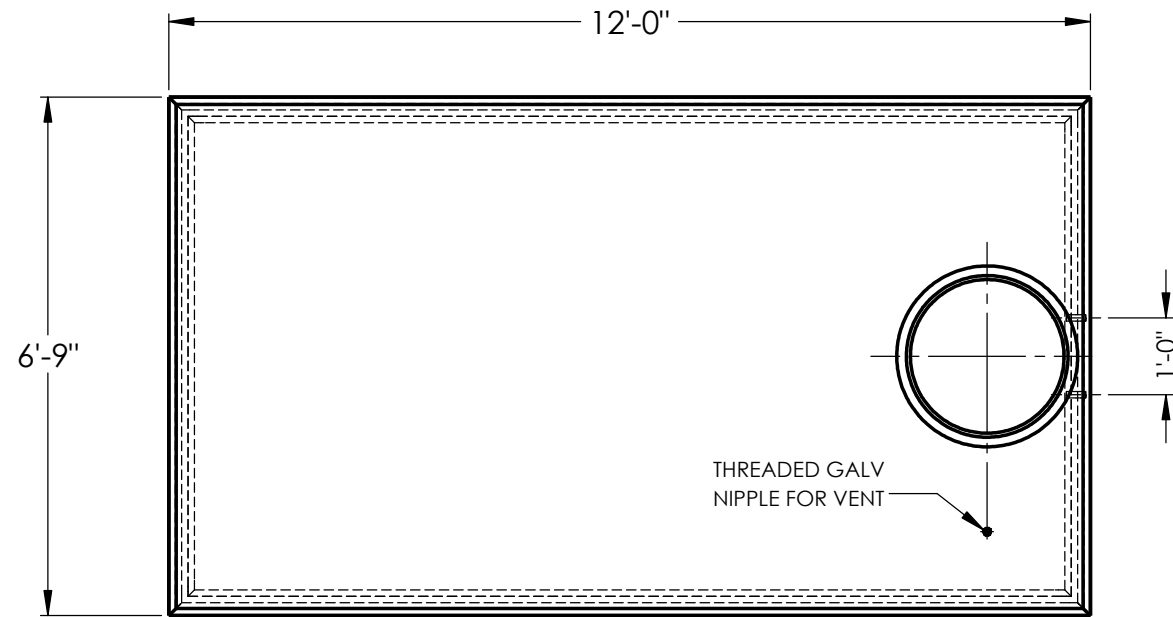
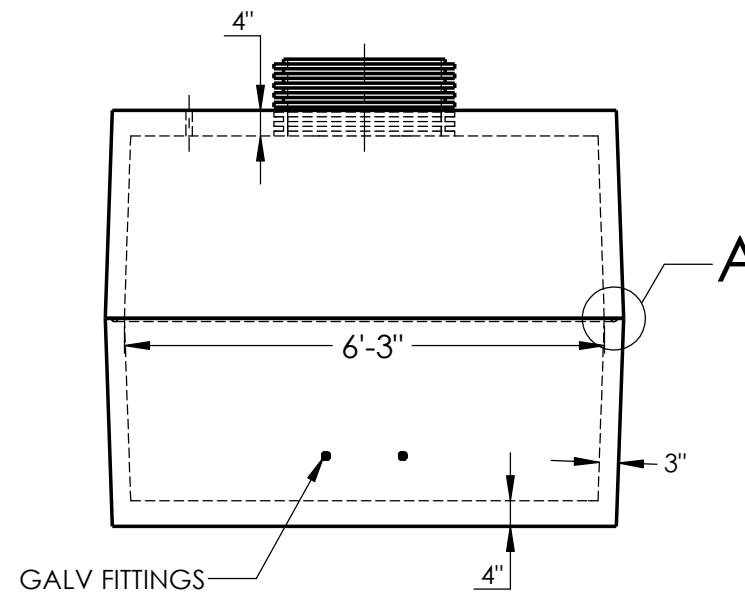
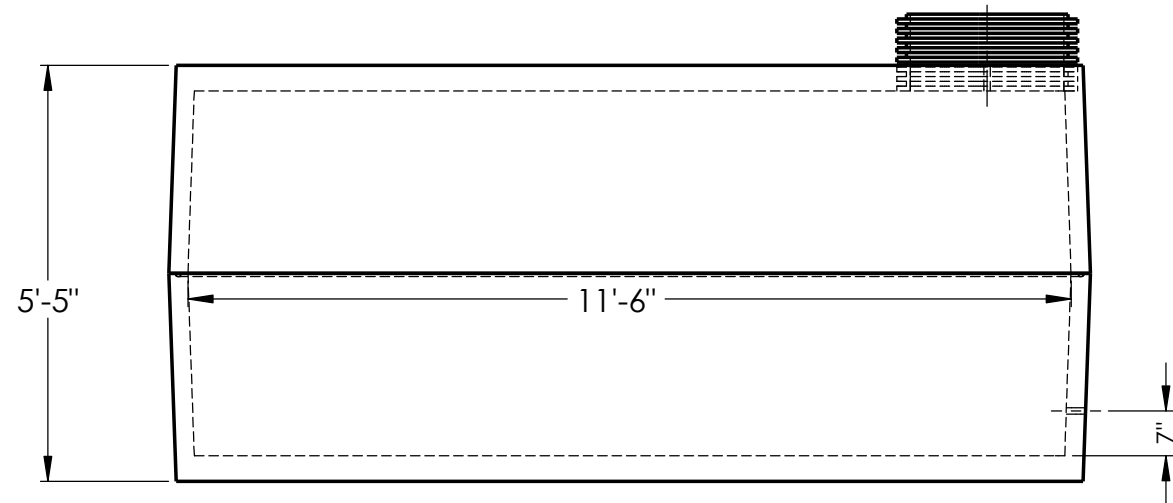


WARRANTY: ALL TANKS MUST BE BACKFILLED AND COMPACTED PRIOR TO FILLING OR WARRANTY IS VOID.



JOINT DETAIL A



- BEDDING:**
4" PEA GRAVEL (NO WATER PRESENT)
- GALVANIZED FITTING OPTIONS:**
Ø1", 1 1/4", 1 1/2", 2". CUSTOM TANKS FITTINGS CAN BE LOCATED ANYWHERE IN TANK
- TOP ACCESS HOLE OPTIONS:**
FLANGE ADAPTERS Ø24" OR Ø30"
PVC RISERS Ø24" OR Ø30"
LIDS CAN BE INSULATED OR NON-INSULATED
- EXCAVATION:**
12" LARGER EACH WAY THAN TANK DIM.
MAX COVER ON TOP 3'-0"

NOTES:
REINFORCEMENT:
-#4 BAR @ 12" O.C.E.W. THROUGHOUT



**2215 E. BROOKLYN AVE
SPOKANE, WA 99217
TOLL FREE 1-800-888-4573
(509) 325-4573 FAX (509) 325-5098
SPOKANE - LEWISTON - YAKIMA
www.wilbertprecast.com**

DRAWN BY:
CEB

TITLE: 2500 GALLON 2-PIECE WATER TANK

SIZE B	DWG. NO. #1707	SCALE: NTS	DATE: 4/2/2019
-------------------------	--------------------------	----------------------	--------------------------