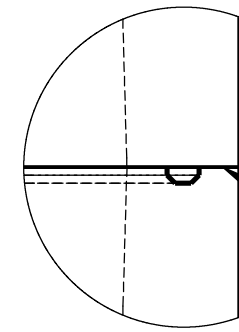
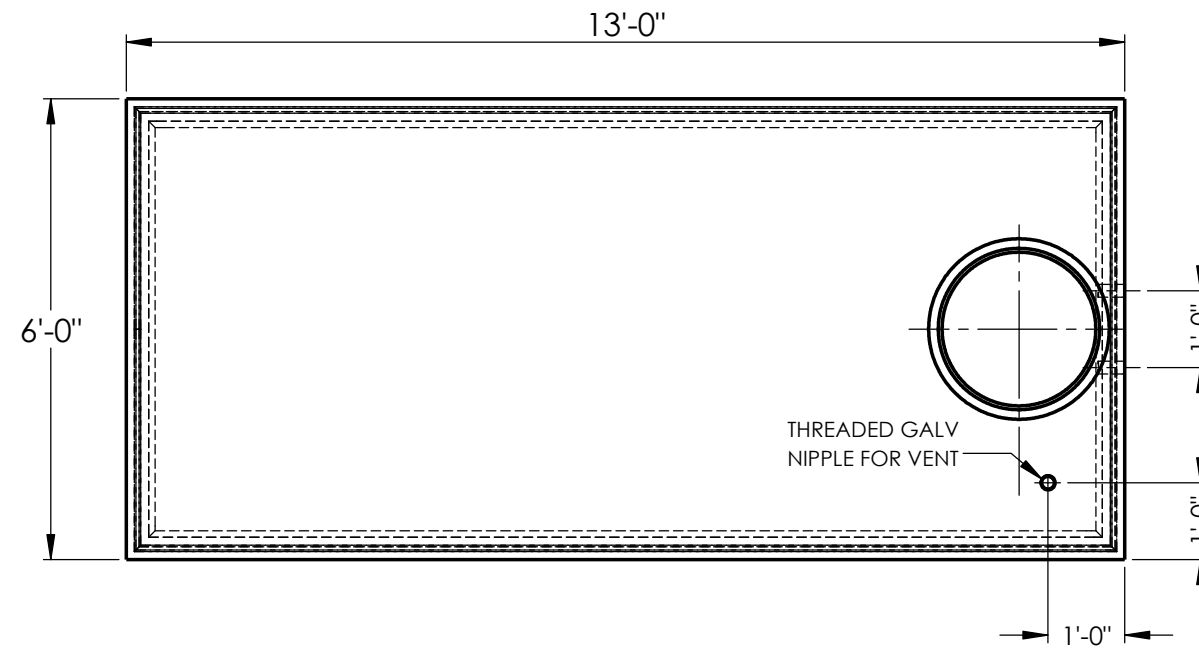


**WARRANTY: ALL TANKS MUST BE BACKFILLED AND COMPACTED PRIOR TO FILLING OR WARRANTY IS VOID.**



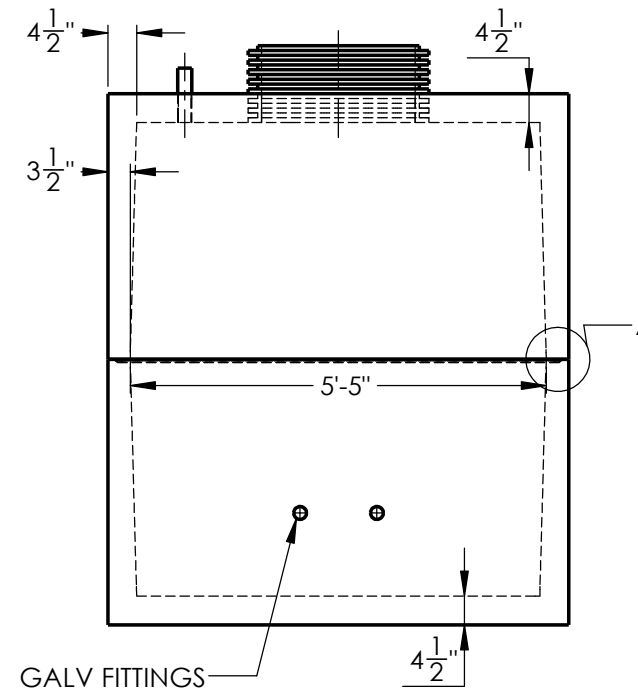
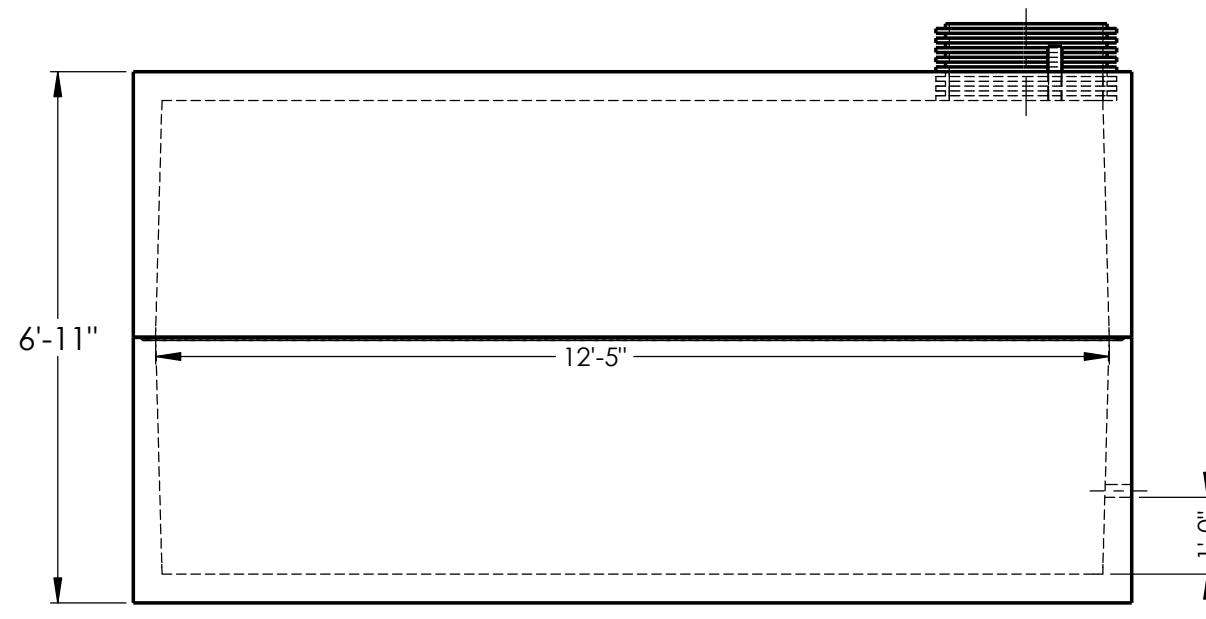
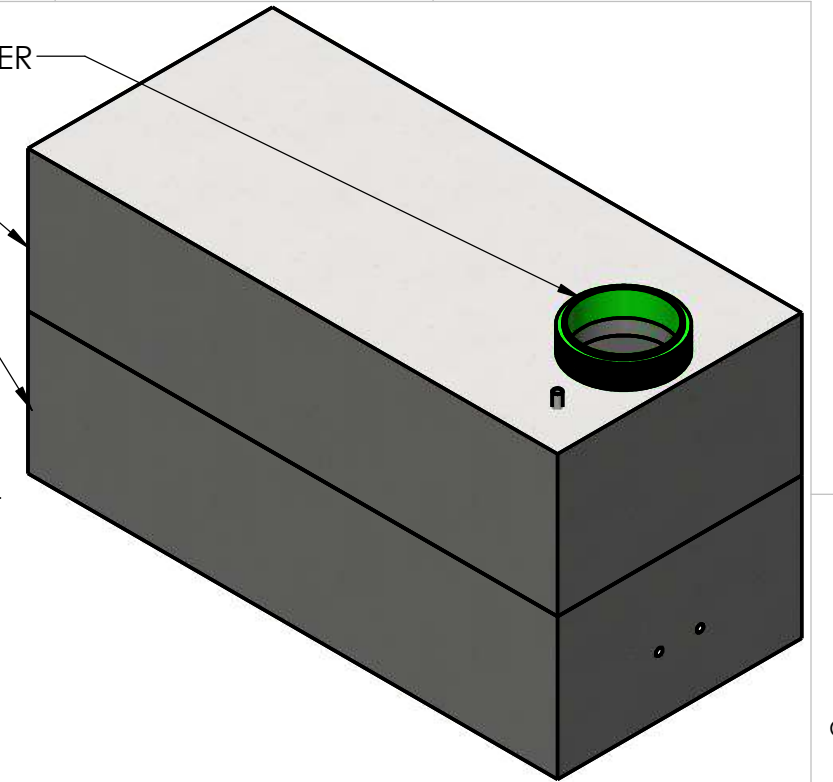
**JOINT DETAIL A**

Ø24" PVC RISER

9,878#

10,020#

1" X 1" CONSEAL CS-665 FOR POTABLE WATER



**BEDDING:**  
4" PEA GRAVEL (NO WATER PRESENT)

**GALVANIZED FITTING OPTIONS:**  
Ø1", 1 1/4", 1 1/2", 2". CUSTOM TANKS FITTINGS CAN BE LOCATED ANYWHERE IN TANK

**TOP ACCESS HOLE OPTIONS:**  
FLANGE ADAPTERS Ø24" OR Ø30"  
PVC RISERS Ø24" OR Ø30"  
LIDS CAN BE INSULATED OR NON-INSULATED

**EXCAVATION:**  
12" LARGER EACH WAY THAN TANK DIM.  
MAX COVER ON TOP 3'-0"

**NOTES:**  
REINFORCEMENT:  
-#4 BAR @ 12" O.C.E.W. THROUGHOUT



2215 E. BROOKLYN AVE  
SPOKANE, WA 99217  
TOLL FREE 1-800-888-4573  
(509) 325-4573 FAX (509) 325-5098  
SPOKANE - LEWISTON - YAKIMA  
www.wilbertprecast.com

DRAWN BY:  
CEB

**TITLE:** 3000 GALLON 2-PIECE WATER TANK

<b>SIZE</b> B	<b>DWG. NO.</b> #1710P	<b>SCALE:</b> NTS	<b>DATE:</b> 4/2/2019
------------------	---------------------------	----------------------	--------------------------