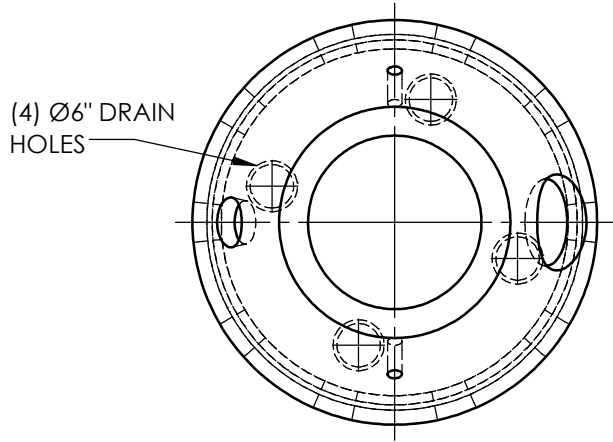


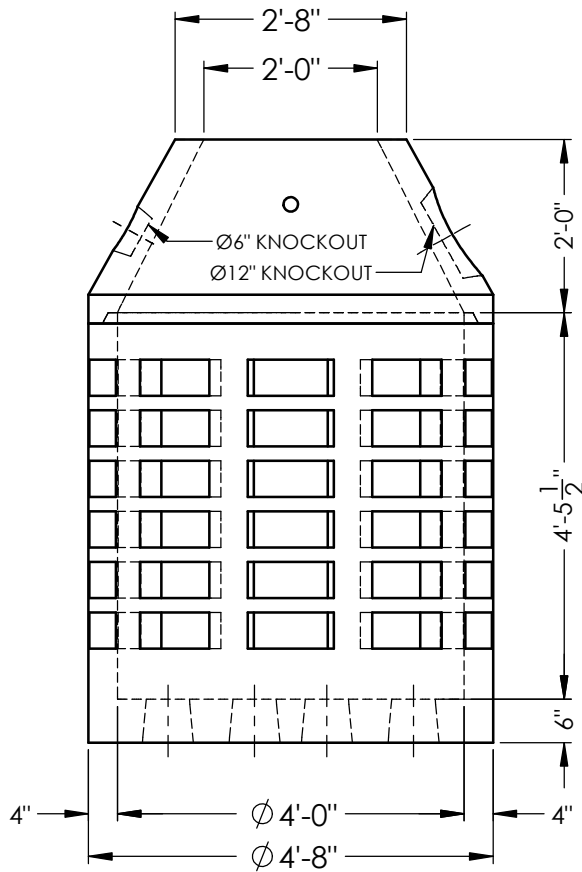
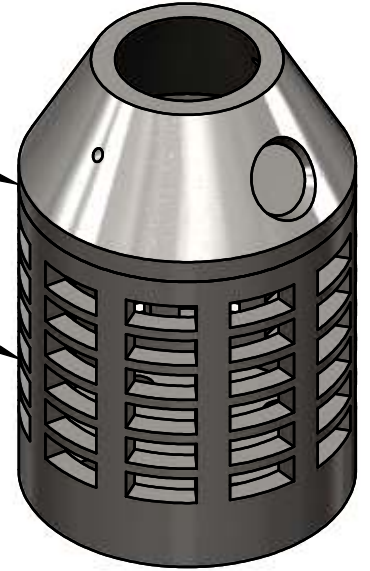


2215 E. BROOKLYN AVE - SPOKANE, WA 99217
 TOLL FREE 1-800-888-4573
 (509) 325-4573 FAX (509) 325-5098
 SPOKANE - LEWISTON - YAKIMA
www.wilbertprecast.com



DRYWELL CONE
 PRODUCT #1801
 1,260#

DRYWELL BARREL
 PRODUCT #1803
 3,035#



NOTES:

1. ALL UNITS MEET OR EXCEED THE REQUIREMENTS OF ASTM C-478 / AASHTO M-199

**500 GALLON DRYWELL
 CITY OF SPOKANE VALLEY TYPE A STD PLAN S-101
 SPOKANE COUNTY TYPE A STD PLAN B-1
 WSDOT STD PLAN B-20.20-02**

MODEL #:

1803 - 1801