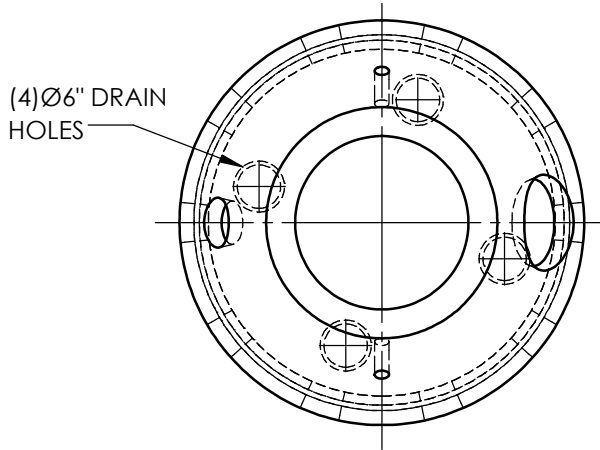


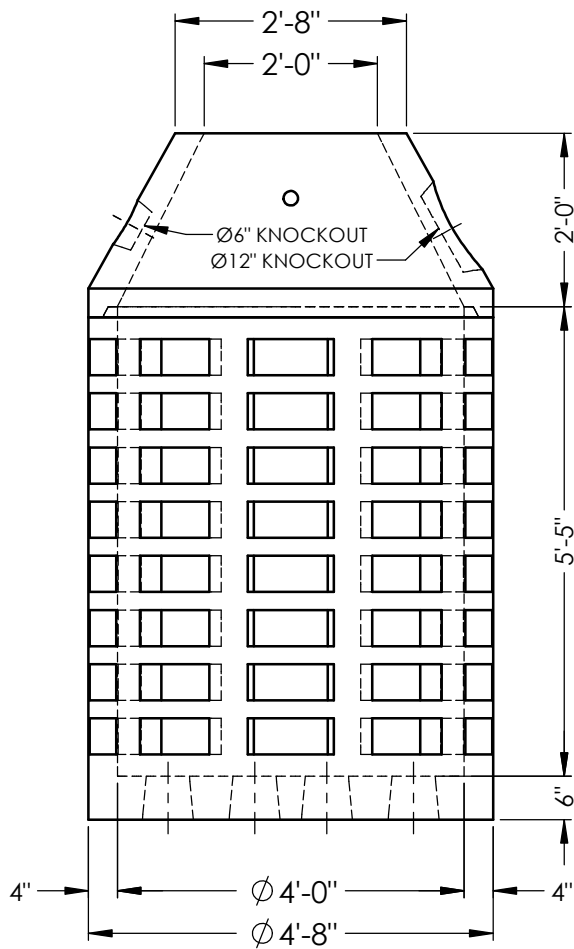
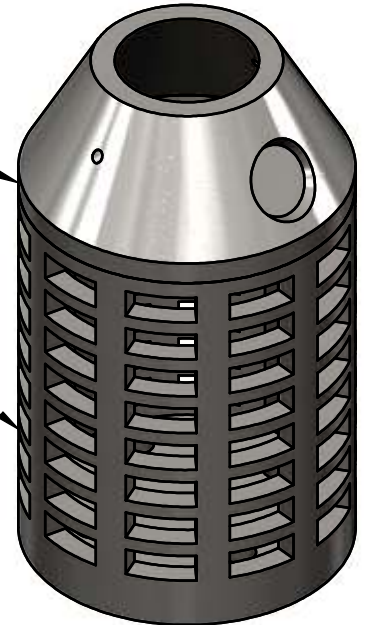


2215 E. BROOKLYN AVE - SPOKANE, WA 99217  
TOLL FREE 1-800-888-4573  
(509) 325-4573 FAX (509) 325-5098  
SPOKANE - LEWISTON - YAKIMA  
[www.wilbertprecast.com](http://www.wilbertprecast.com)



DRYWELL CONE  
PRODUCT #1801  
1,260#

DRYWELL CONE  
PRODUCT #1804  
3,300#



**NOTES:**

1. ALL UNITS MEET OR EXCEED THE REQUIREMENTS OF ASTM C-478 / AASHTO M-199

**600 GALLON DRYWELL  
CITY OF SPOKANE TYPE 1 STD PLAN B-102C**

**MODEL #:**

**1804 - 1801**