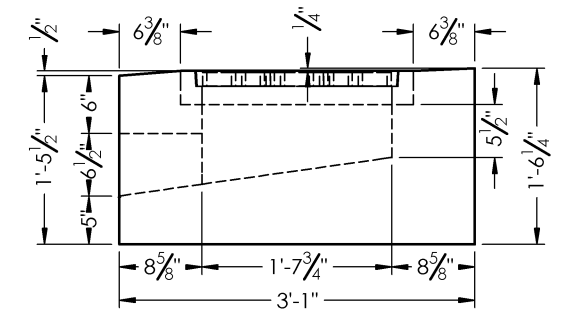
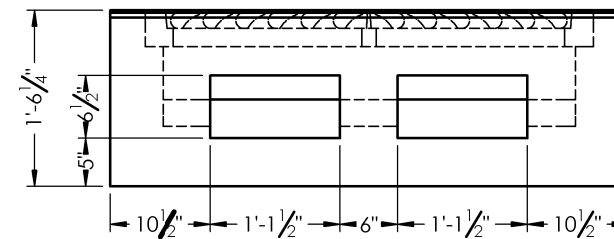
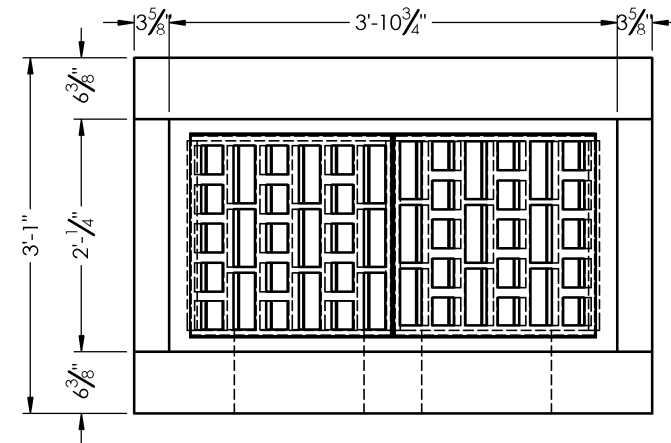
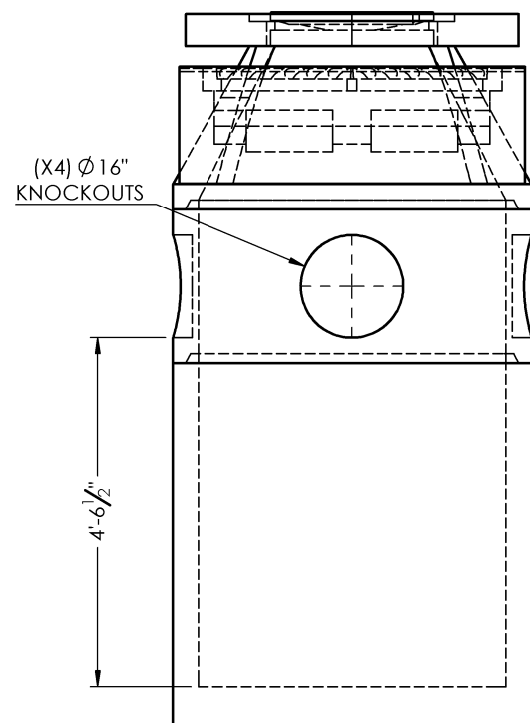
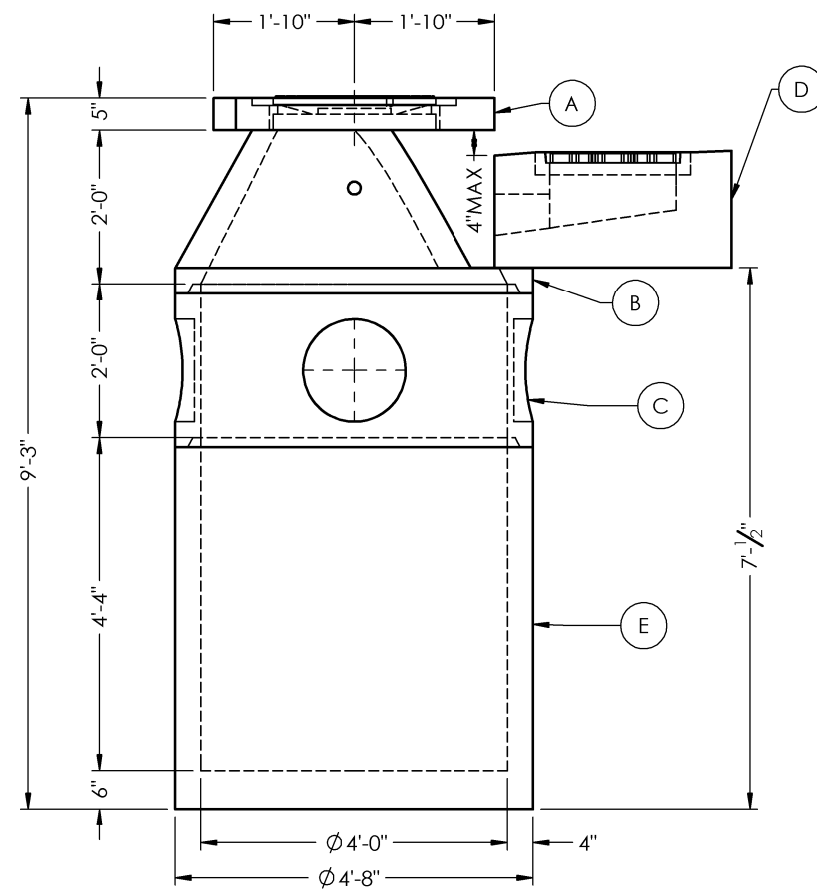
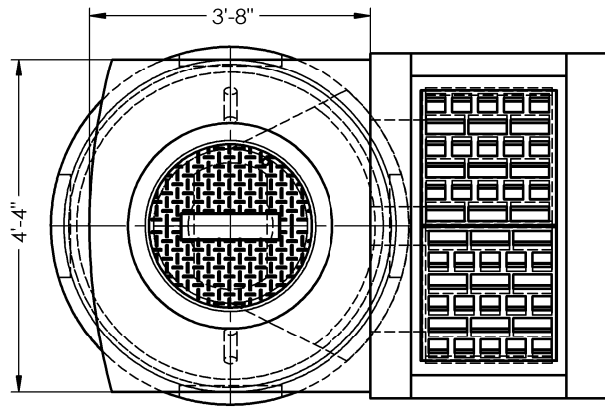


QTY	DESCRIPTION	PRODUCT #	WEIGHT
A	COVER WITH, <b>D&amp;L #B-2000</b> SOLID RING AND COVER CAST-IN	1823	891#
B	SPECIAL CONE	1801S	938#
C	2'-0" BARREL WITH (X4) Ø16" KNOCKOUTS	1806-2	1,172#
D	CONVERSION UNIT W/ <b>D&amp;L# I-4433</b> FRAME & DUAL VANED GRATES CAST-IN		2,656#
E	SOLID BARREL WITH BASE	1807	4,266#
-	-	<b>TOTAL WEIGHTS</b>	<b>9,923#</b>



**WSDOT CONVERSION UNIT FOR  
CITY OF SPOKANE TYPE 2 CATCH BASIN**

**REINFORCEMENT:**

- SF 4X4 W5/W5 WELDED WIRE
- CF 6X6 W1.4/W1.4 WELDED WIRE
- #3 BAR CAGE IN SPECIAL CONE
- #3 BAR RING IN "ALL" MALE SPIGGOTS



2215 E. BROOKLYN AVE  
SPOKANE, WA 99217  
TOLL FREE 1-800-888-4573  
(509) 325-4573 FAX (509) 325-5098  
SPOKANE - LEWISTON - YAKIMA  
www.wilbertprecast.com

**TITLE:**

CATCH BASIN TYPE 2 W/ CONVERSION UNIT  
CITY OF SPOKANE STD PLAN B-101D1

**SIZE**

**B**

**DWG. NO.**

1807/1806-2  
1801S/1823

**SCALE:**

NTS

**DATE:**

1/7/2021

REV: A  
DRAWN FOR:  
DRAWN BY:  
DCR