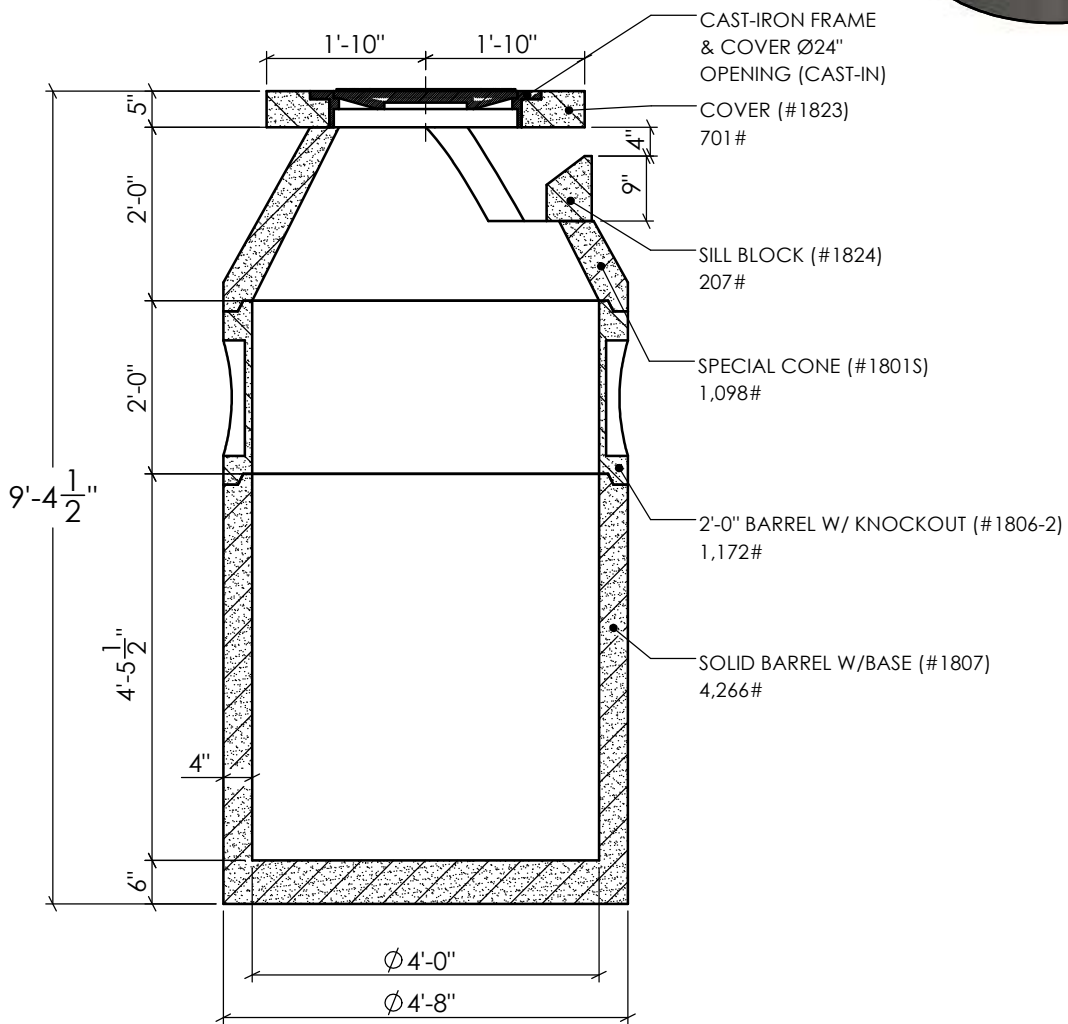
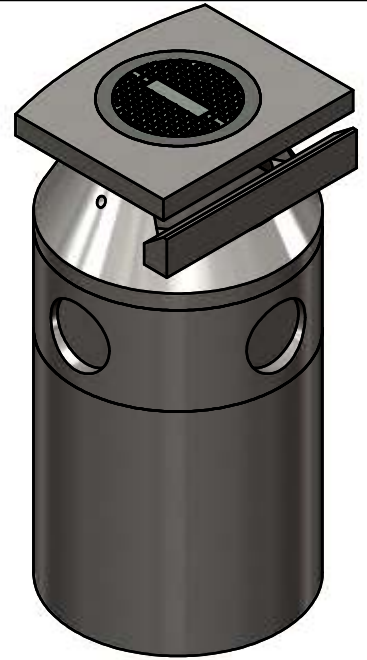
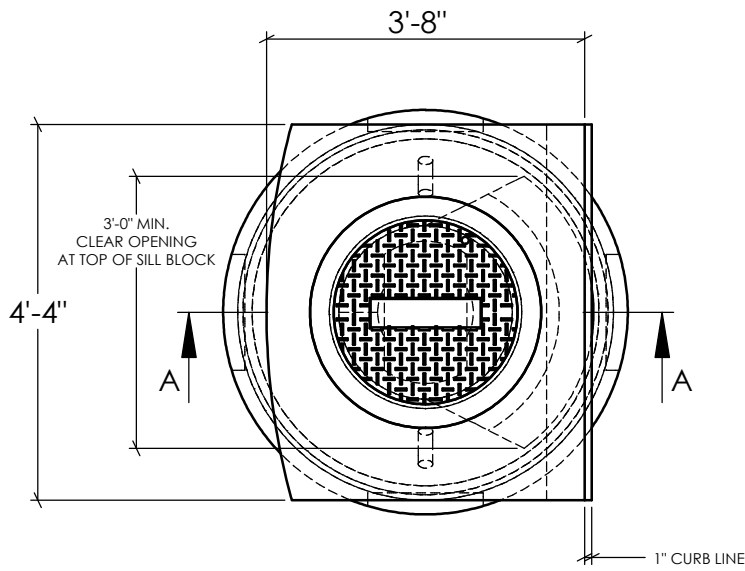




2215 E. BROOKLYN AVE - SPOKANE, WA 99217
 TOLL FREE 1-800-888-4573
 (509) 325-4573 FAX (509) 325-5098
 SPOKANE - LEWISTON - YAKIMA
www.wilbertprecast.com



SECTION A-A

**CATCH BASIN TYPE 2
 CITY OF SPOKANE STD PLAN B-101D**

MODEL #:

**1807/1806-2
 1801S/1824/1823**