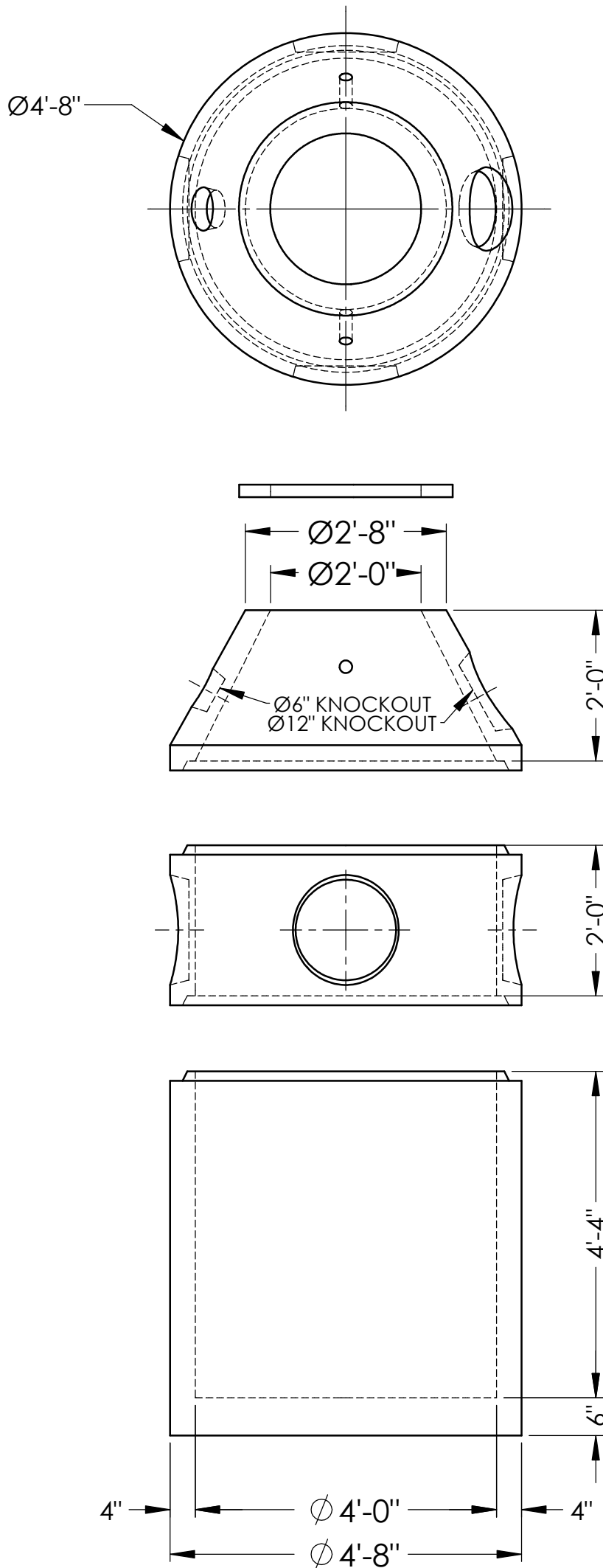




2215 E. BROOKLYN AVE - SPOKANE, WA 99217  
 TOLL FREE 1-800-888-4573  
 (509) 325-4573 FAX (509) 325-5098  
 SPOKANE - LEWISTON - YAKIMA  
[www.wilbertprecast.com](http://www.wilbertprecast.com)

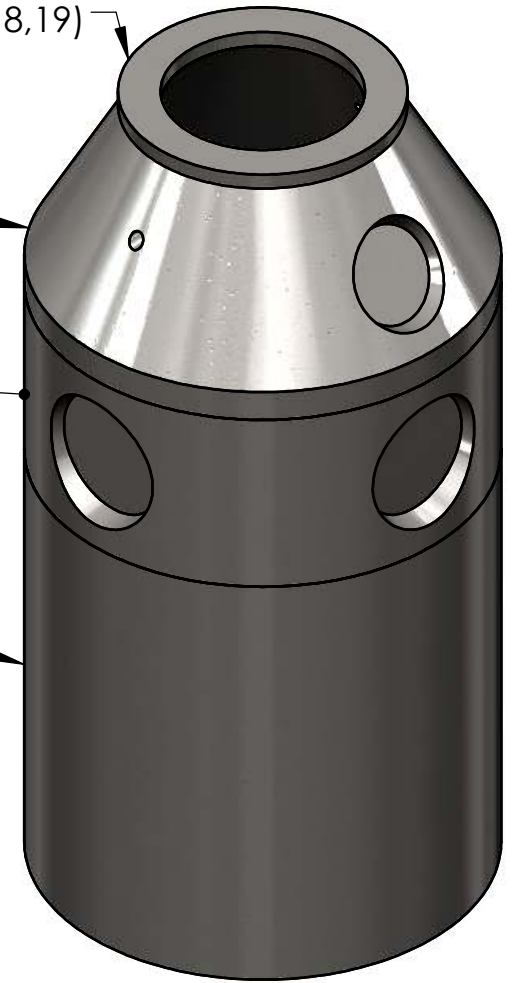


2",3",4",5",6", & 13" GRADE RINGS  
 (PRODUCT #'S 1816,17,18,19)

DRYWELL CONE  
 PRODUCT #1801  
 1,260#

2' BARREL  
 PRODUCT #1086-2  
 1,160#

CATCH BASIN TYPE "1"  
 PRODUCT #1807  
 4,181#



**NOTES:**

1. ALL UNITS MEET OR EXCEED THE REQUIREMENTS OF ASTM C-478 / AASHTO M-199

TYPE 1 OR TYPE 3 CATCH BASIN  
 SPOKANE CITY STANDARD PLAN B-101C/B-101E

**MODEL #:**

**1807/1801**