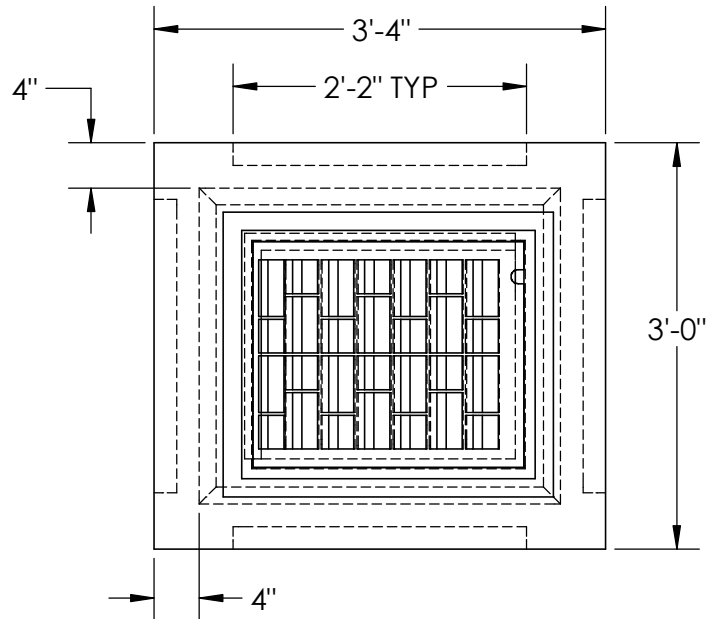
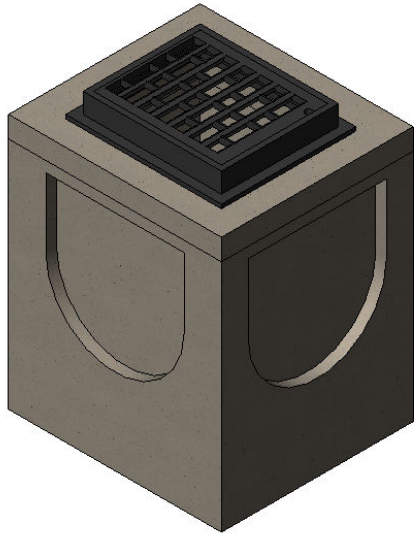
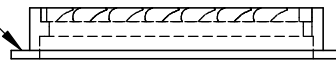




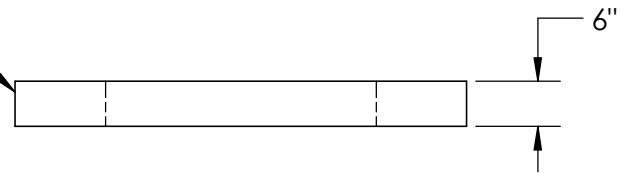
2215 E. BROOKLYN AVE - SPOKANE, WA 99217
 TOLL FREE 1-800-888-4573
 (509) 325-4573 FAX (509) 325-5098
 SPOKANE - LEWISTON - YAKIMA
www.wilbertprecast.com



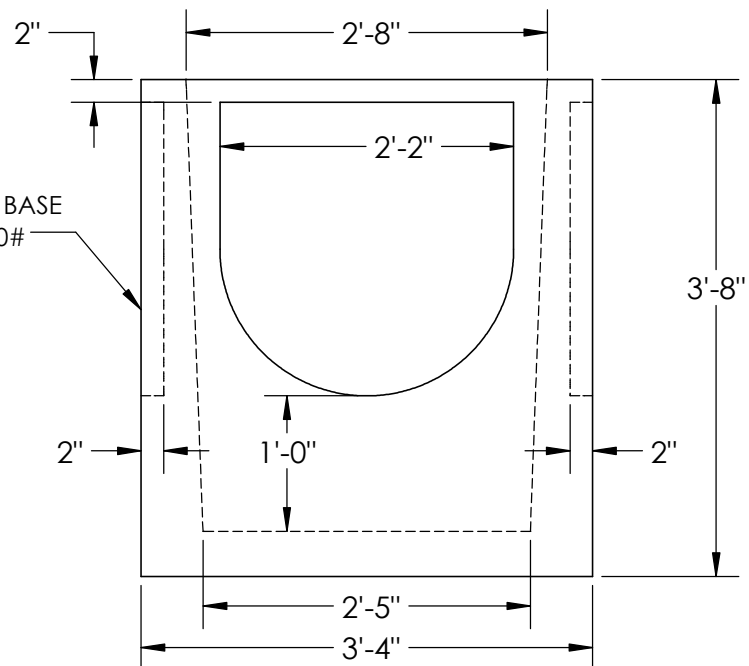
CAST-IRON
 FRAME & VANED GRATE



REDUCING SLAB



TYPE 1L BASE
 2,270#



NOTES:
 MEETS OR EXCEEDS
 THE REQUIREMENTS OF
 ASTM C-478 / AASHTO M-199

**TYPE 1L CATCH BASIN
 WSDOT STD PLAN B-5.40-00**

MODEL #:

1845