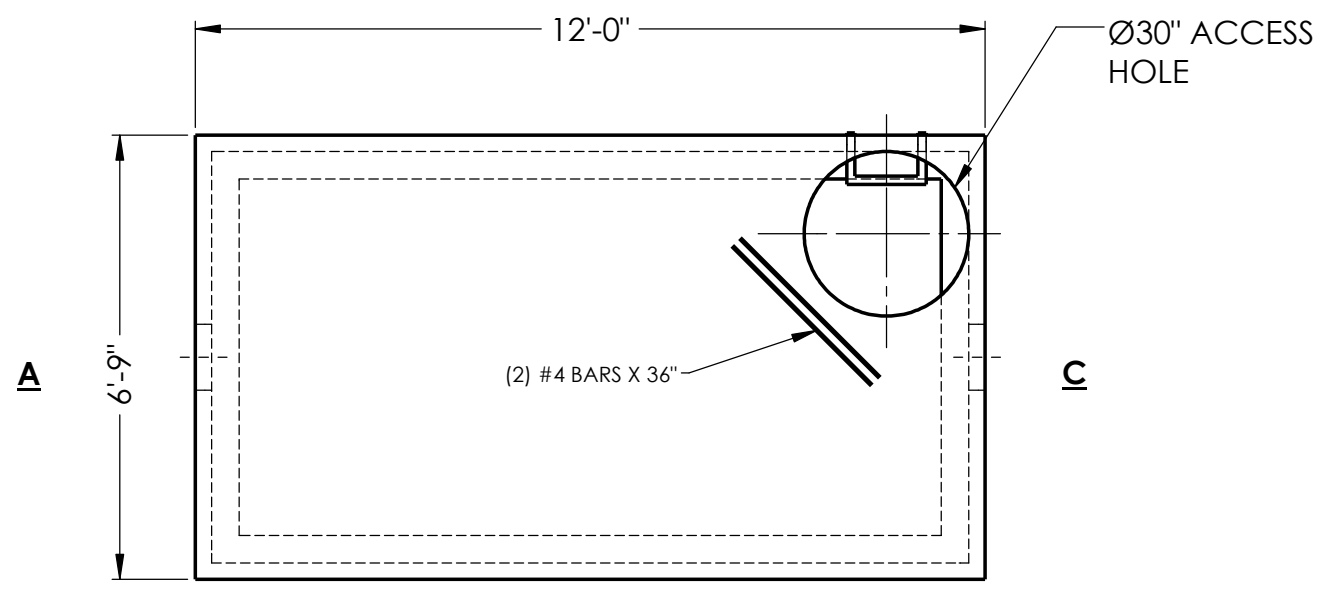


8 7 6 5 4 3 2 1

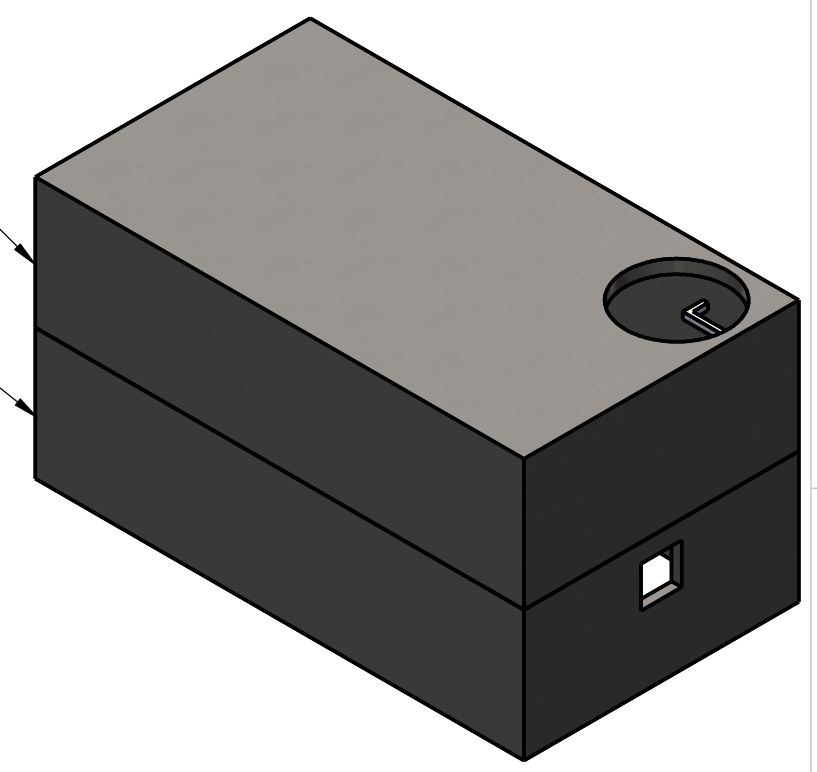
D



B

7,737#

5,019#

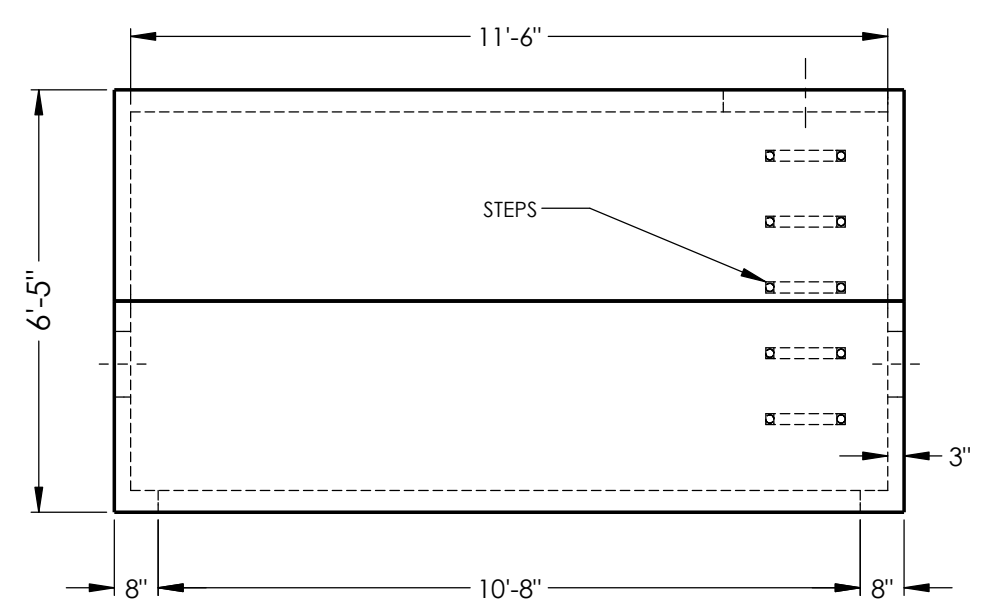


C

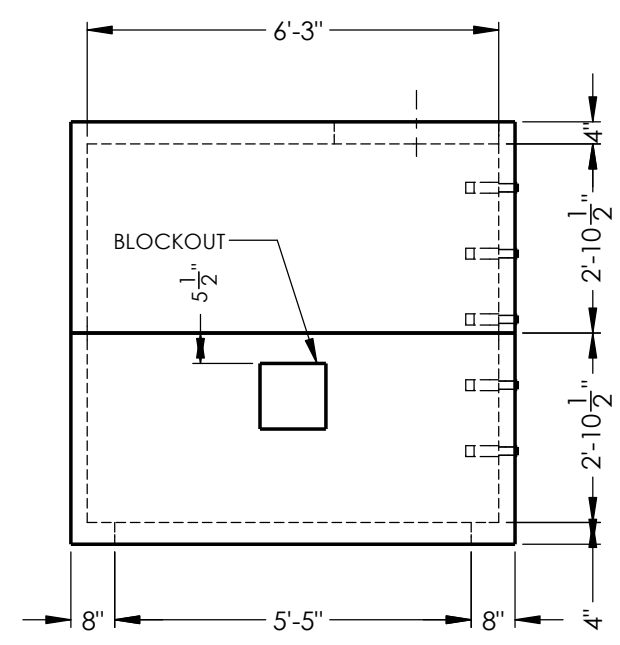
D

B

B



B



C

NOTES:
 *MEETS OR EXCEEDS THE REQUIREMENTS OF ASTM 857, 858, 890, 900, AND 913
REINFORCEMENT:
 -SIDES & ENDS - #3 BAR @ 12" O.C.
 -TOP - ALTERNATING #3 BAR & #4 BARS #6" O.C.E.W.



2215 E. BROOKLYN AVE
 SPOKANE, WA 99217
 TOLL FREE 1-800-888-4573
 (509) 325-4573 FAX (509) 325-5098
 SPOKANE - LEWISTON - YAKIMA
 www.wilbertprecast.com

TITLE: LARGE METER VAULT 6'-3" X 11'-6"
 LIGHT LOADING

SIZE B	DWG. NO. #1955	SCALE: NTS	DATE: 7/16/2018
------------------	-------------------	---------------	--------------------

DRAWN BY:
CEB

8 7 6 5 4 3 2 1

A

A