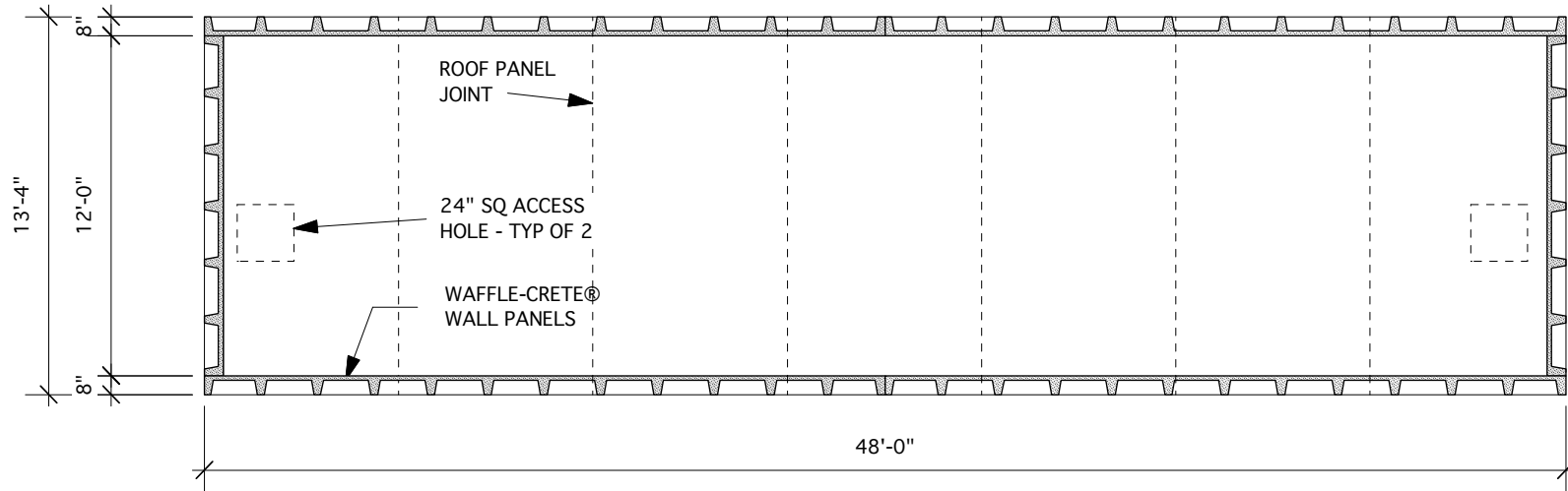


**SECTION**

1/8" = 1'-0"



**FLOOR PLAN**

1/8" = 1'-0"

<p>31,400 GAL. "WAFFLE-CRETE"® WATER TANK</p>	<p>WILBERT PRECAST, INC 2215 E. BROOKLYN - SPOKANE, WASHINGTON 99217 (509) 325-4573 TOLL FREE 1-800-888-4573 FAX (509) 325-5098</p>	
	<p>DATE: 6-24-02</p>	<p>DRAWN BY: D.G.T</p>