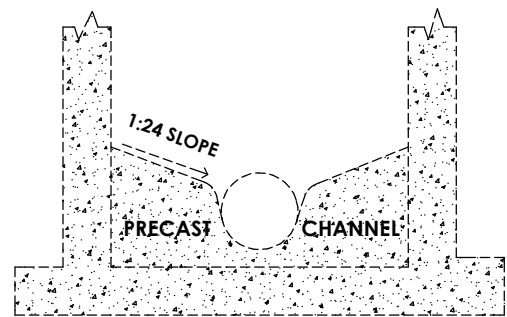
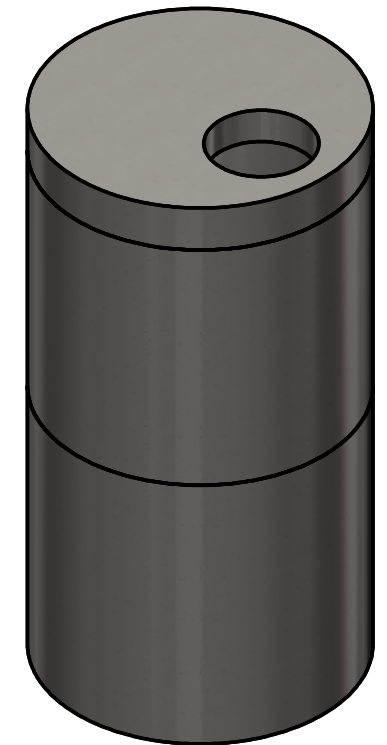
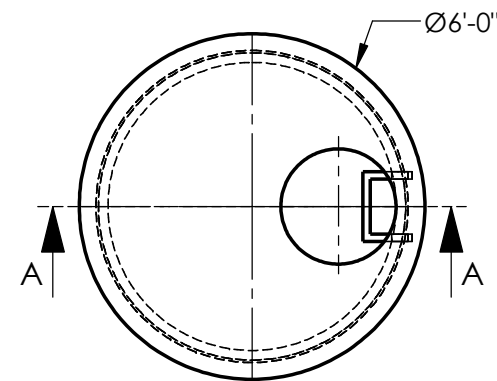
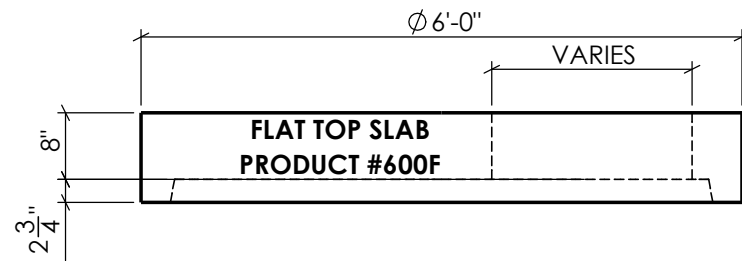
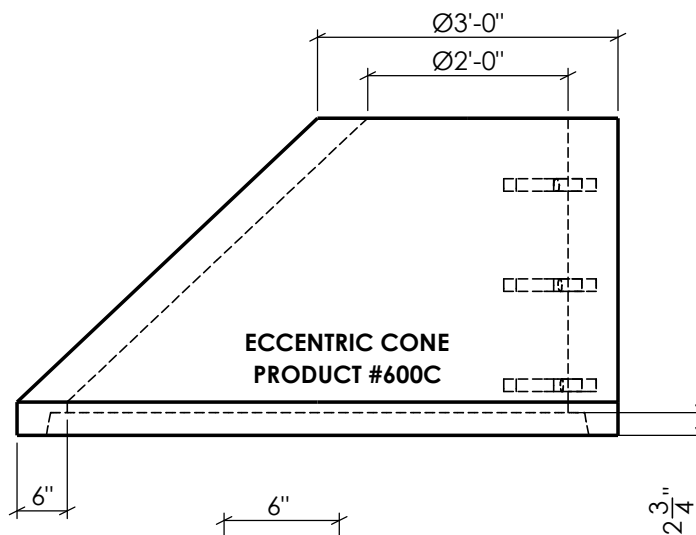


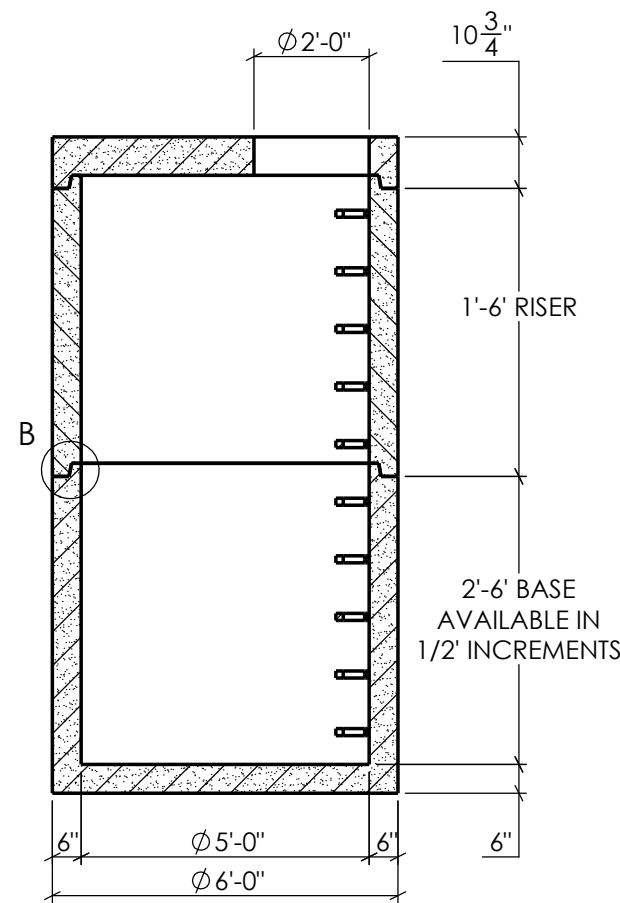
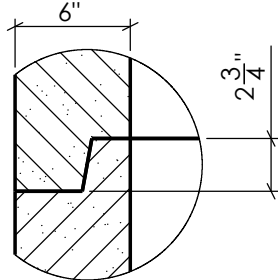
OPTIONAL PRECAST CHANNEL



OPTIONAL ANTI-FLOTATION FOOT BASE



JOINT DETAIL B



SECTION A-A

- PRODUCT #'S
- ECCENTRIC CONE
 - 600E-3' - 2,993#
 - FLAT SLAB TOP
 - 600F - 2,669#
 - RISERS
 - 601 - 1' - 1,295#
 - 602 - 2' - 2,589#
 - 603 - 3' - 3,884#
 - 604 - 4' - 5,178#
 - 605 - 5' - 6,474#
 - 606 - 6' - 7,769#
 - BASES
 - 602B - 2' - 4,815#
 - 603B - 3' - 6,110#
 - 604B - 4' - 7,404#
 - 605B - 5' - 8,699#
 - 606B - 6' - 9,993#
 - OPTIONAL CHANNEL
 - ~3,195#
 - OPTIONAL ANTI-FLOTATION BASE
 - ~1,193#

NOTES:
 REINFORCEMENT:
BODY & RISERS
 -4X8 W4/W1.7 WIRE CAGE THROUGHOUT
BASE
 -4X4 W5/W5 WIRE CAGE THROUGHOUT
CONES
 -#4 HOOP IN BASE W/STRUCTURAL FIBER THROUGHOUT
FLAT SLAB TOP
 -#4@6"O.C. W/EXTRA #4 BAR AROUND OPENING
 ~ALL UNITS MEET OR EXCEED THE REQUIREMENTS OF
 ASTM C-478/AASHTO M-199 & ASTM C-443



2215 E. BROOKLYN AVE
 SPOKANE, WA 99217
 TOLL FREE 1-800-888-4573
 (509) 325-4573 FAX (509) 325-5098
 SPOKANE - LEWISTON - YAKIMA
 www.wilbertprecast.com

DRAWN BY:
 CEB

TITLE: Ø60" MANHOLE

SIZE B	DWG. NO. 600	SCALE: NTS	DATE: 11/28/2018
------------------	-----------------	---------------	---------------------