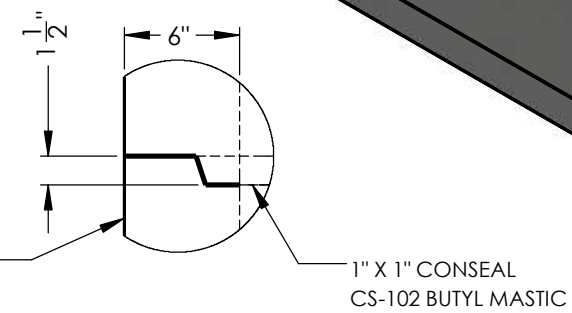
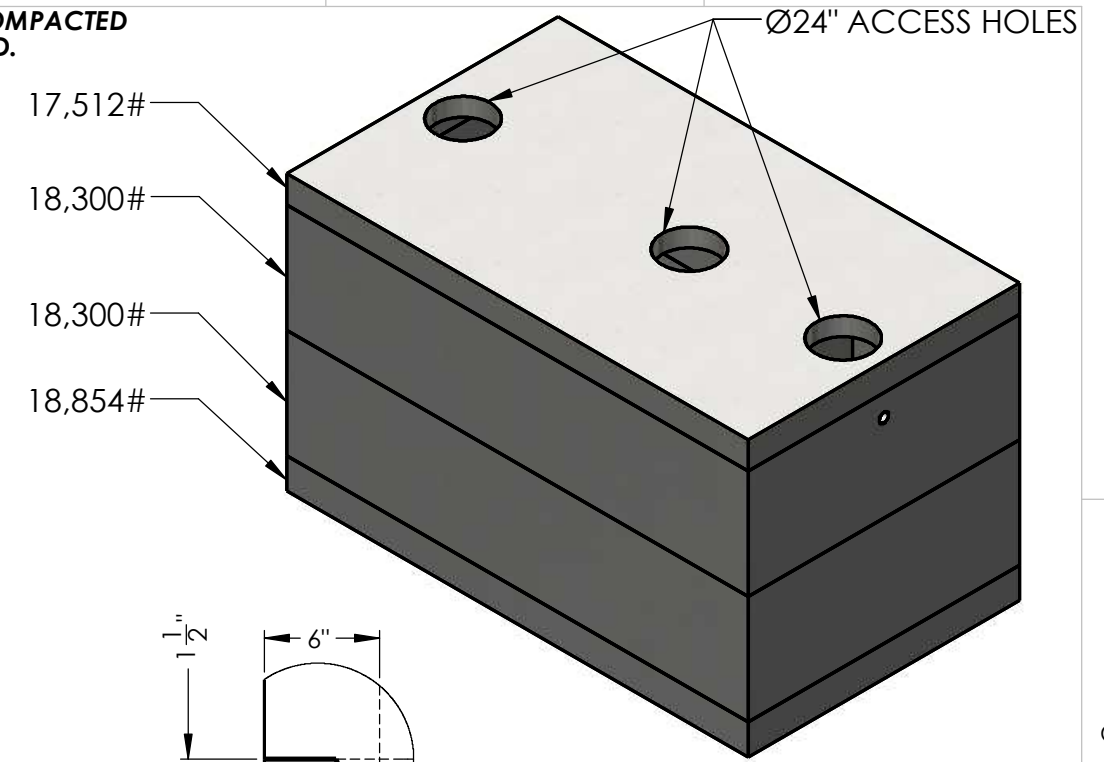
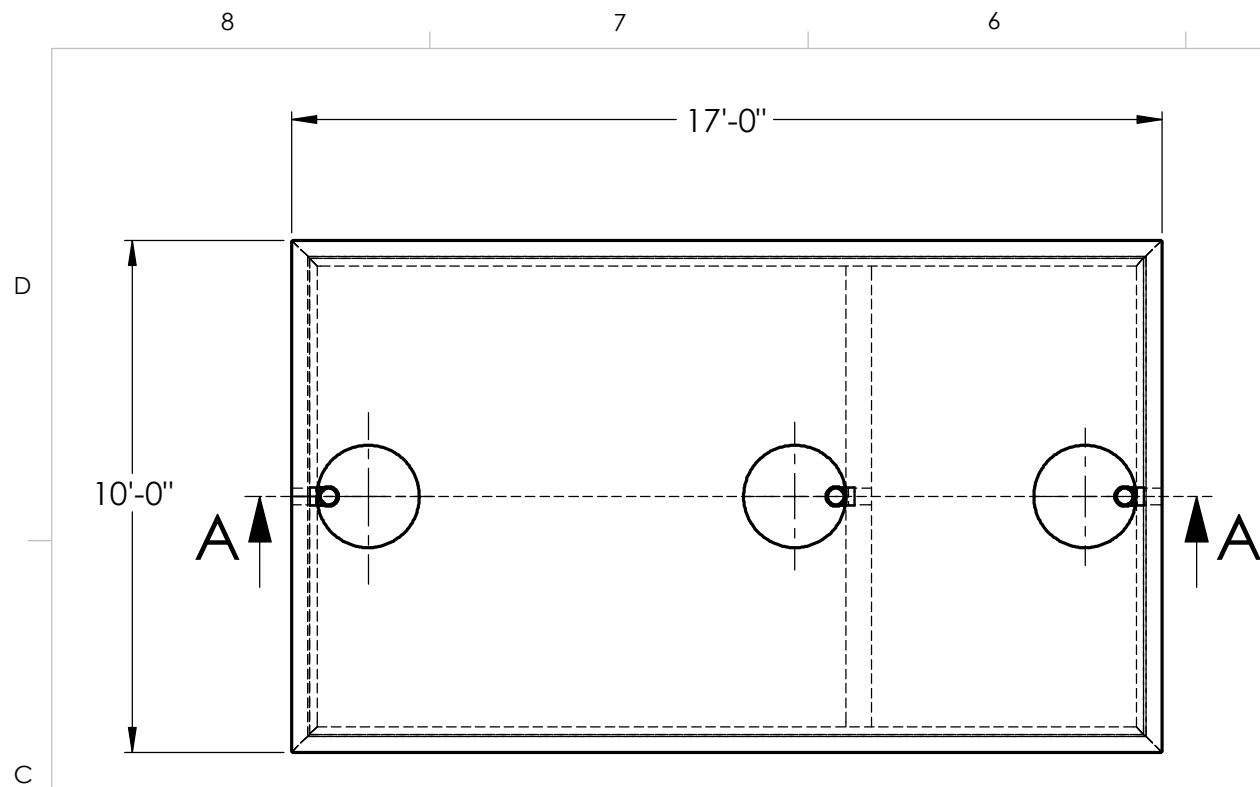


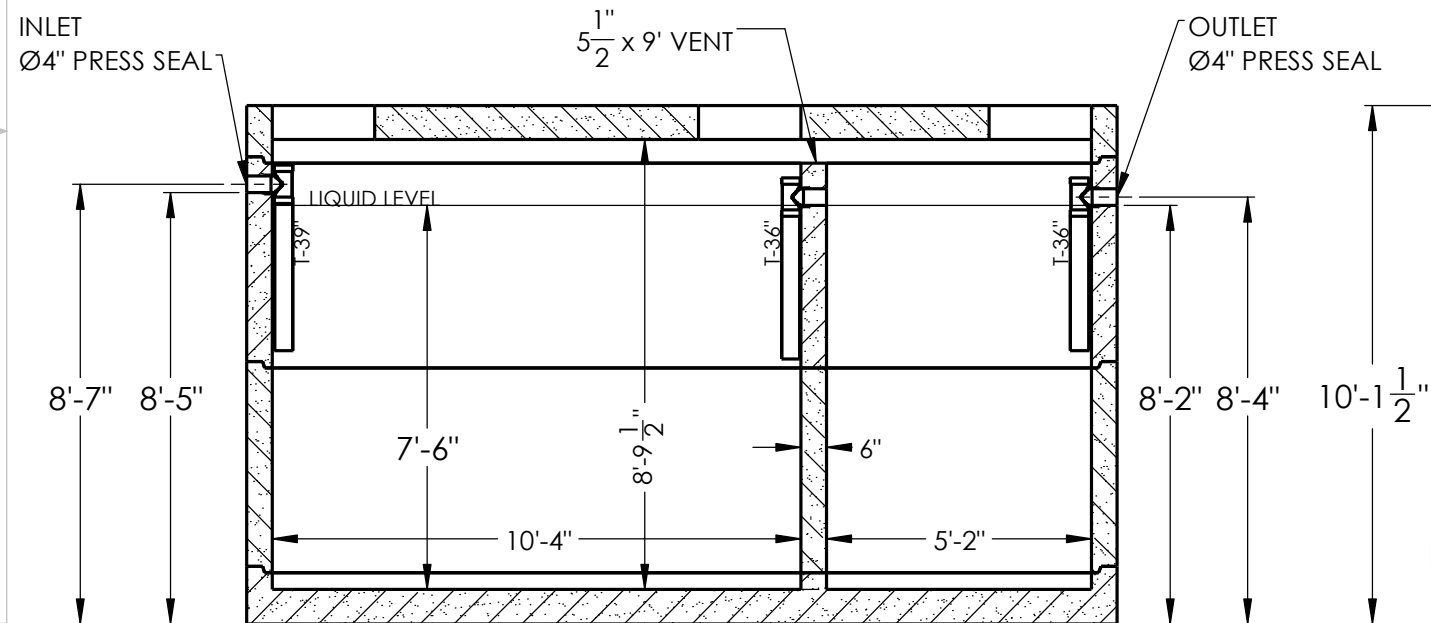
WARRANTY: ALL TANKS MUST BE BACKFILLED AND COMPACTED PRIOR TO FILLING OR WARRANTY IS VOID.



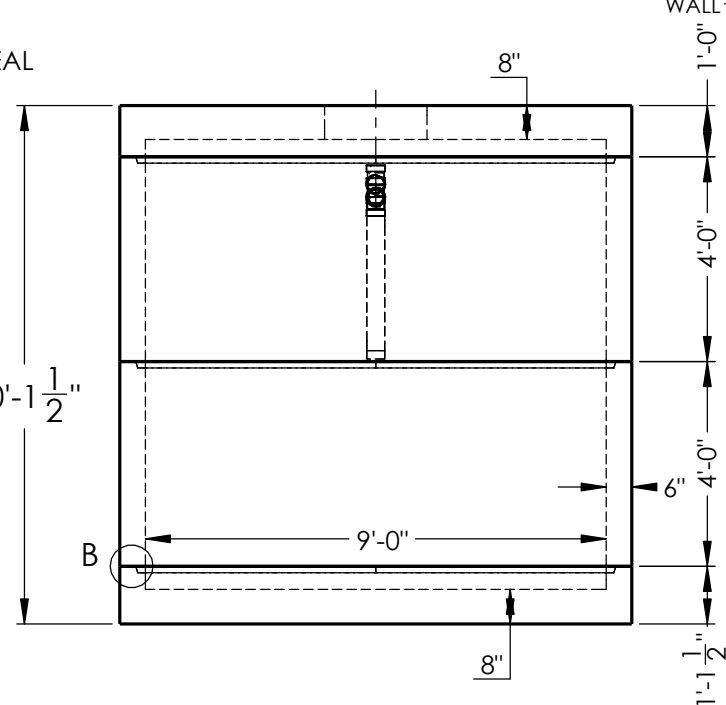
**SHIPLAP JOINT DETAIL B**

- CONCRETE:**  
TANK CONSTRUCTION UTILIZES 6000 PSI CONCRETE AND GRADE 60 REBAR
- GALLON CALCULATIONS:**  
9'-0" W x 10'-4" L x 7'-6" H x 7.48 = 5,217 GAL  
9'-0" W x 5'-2" L x 7'-6" H x 7.48 = 2,608 GAL
- NON-TRAFFIC RISERS:**  
PVC: 24" Ø & FIB. COVER (TO GRADE)  
CONCRETE: 24" Ø x 8" OR 12" (6" BELOW GRADE)
- TRAFFIC RISERS/COVERS:**  
24" Ø GRADE RINGS (2", 3", 4", 5", 6", 13")  
4" x 24" Ø CAST-IRON GASKETED BOLT-DOWN
- UPLIFT RINGS:**  
BURY DEPTH WITH WATER AT GRADE ~ 4"  
BURY DEPTH WITH WATER AT TOP OF TANK ~ 2"
- BEDDING:**  
4" PEA GRAVEL OR COMPACTED CRUSHED GRAVEL (NO WATER PRESENT)
- EXCAVATION:**  
12" LARGER EACH WAY THAN TANK DIMENSION
- BURY:**  
MAXIMUM BURY DEPTH ~ 5'

- NOTES:**
- 1043 GALLONS/VERTICAL FOOT CAPACITY
  - ON-SITE CRANE SUPPLIED BY CONTRACTOR (20,000# PICK TO CENTER OF EXCAVATION)
  - WIDE FLANGE INSTALL (IF REQ'D) BY CONTRACTOR.



SECTION A-A



- NOTES:**
- REINFORCEMENT:  
WALLS:  
-#6 @ 6" O.C. HORIZONTAL  
-#4 @ 10" O.C. VERTICAL  
TOP & BOTTOM  
-#6 @ 6" O.C. SHORT DIRECTION  
#5 @ 12" O.C. LONG DIRECTION, (2) #5 BAR LONG SIDE OF ACCESS, (2) #6 BAR SHORT SIDE



2215 E. BROOKLYN AVE  
SPOKANE, WA 99217  
TOLL FREE 1-800-888-4573  
(509) 325-4573 FAX (509) 325-5098  
SPOKANE - LEWISTON - YAKIMA  
www.wilbertprecast.com

DRAWN BY:  
CEB

TITLE:  
8000 GALLON DOUBLE COMPARTMENT TANK  
TRAFFIC BEARING

SIZE <b>B</b>	DWG. NO. 916-8D	SCALE: NTS	DATE: 8/1/2019
------------------	--------------------	---------------	-------------------