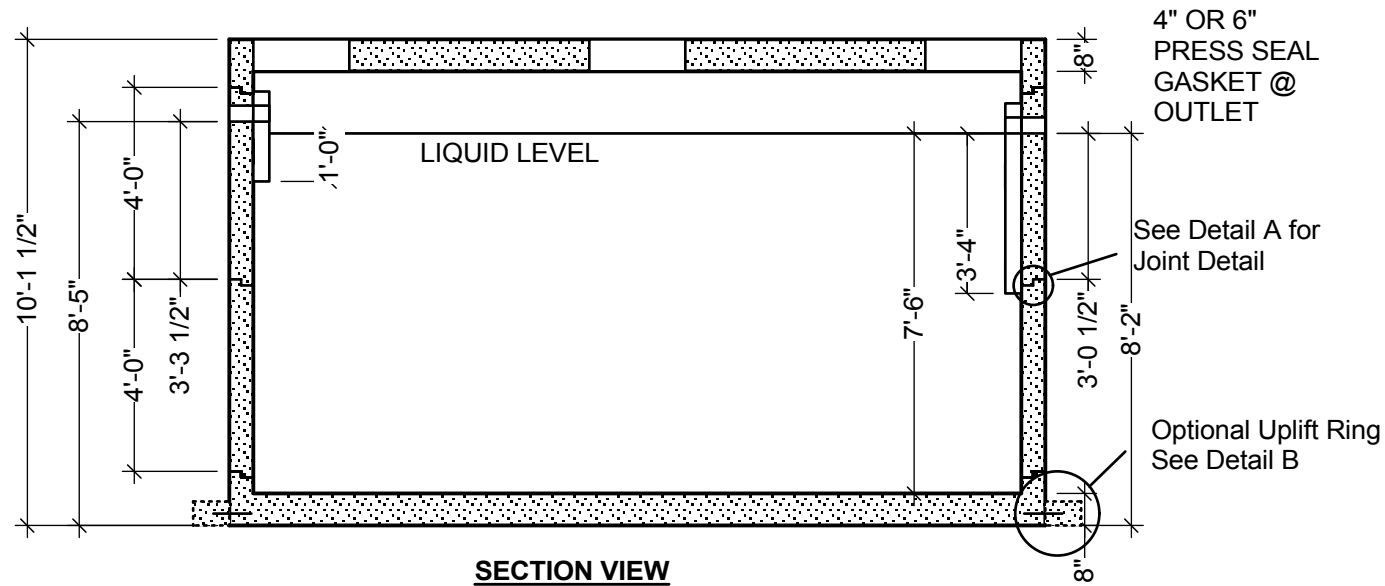
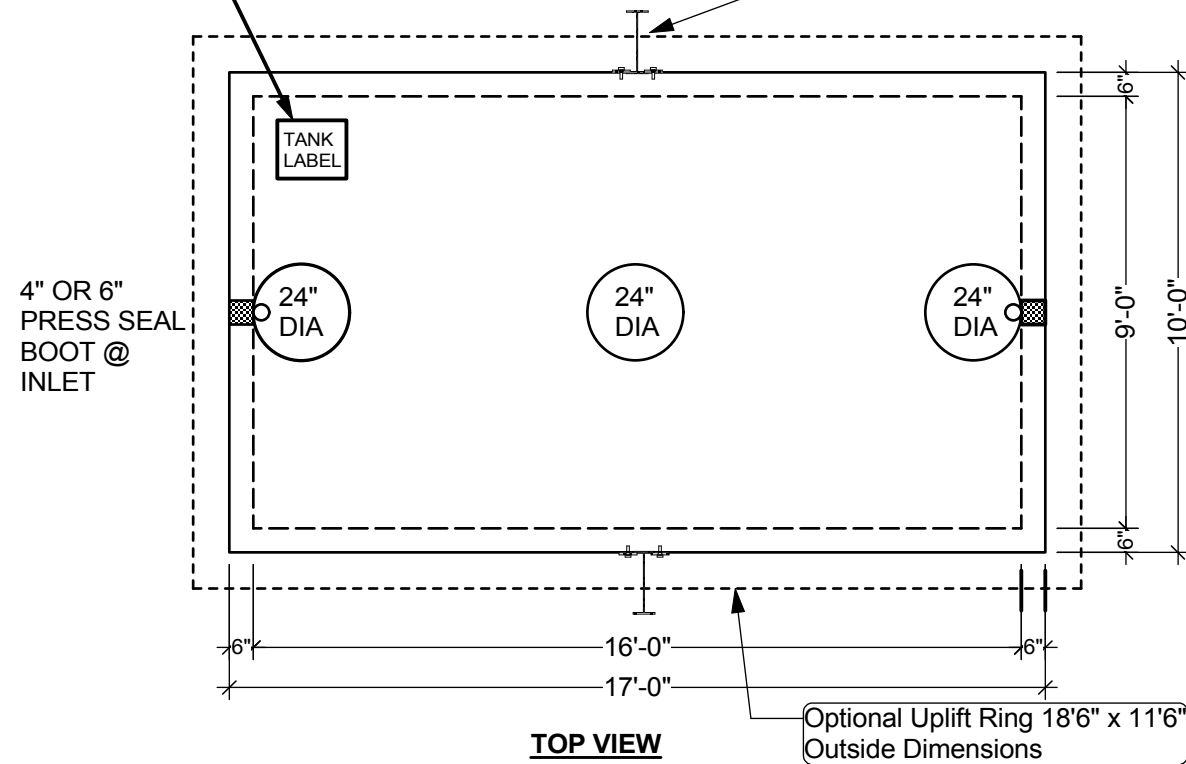
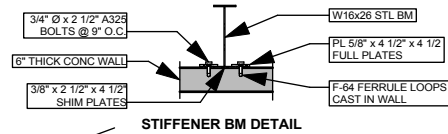


WILBERT PRECAST
 SIZE: 8000 SGL
 MAX BURY 5'-0"
 MFG. DATE: ___/___/___
 MODEL: 916-8S



SCALE: 1/4" = 1'-0"

Product #916-8S Notes And Details

GALLON CALCS:
 16' X 9' X 7'-6" X 7.48 = 8078 GALS.

NON-TRAFFIC RISERS:
 PVC: 24" DIA & FIB. COVER (TO GRADE)
 CONCRETE: 24" DIA X 8" OR 12" (6" BELOW GRADE)
 BEDDING: 4" PEA GRAVEL OR COMPACTED
 CRUSHED GRAVEL (NO WATER PRESENT)
 EXCAVATION: 1' LARGER EACH WAY THAN TANK DIM.

TRAFFIC RISERS / COVERS:
 24" DIA. GRADE RINGS (2", 3", 4", 5", 6", 13")
 4" X 24" DIA CAST-IRON GASKETED BOLT DOWN
 BEDDING: 4" PEA GRAVEL OR COMPACTED
 CRUSHED GRAVEL (NO WATER PRESENT)
 EXCAVATION: 1' LARGER EACH WAY THAN TANK DIM.

WEIGHTS/SECTION:
 TOP: 19097#
 WALL: 4575# PER VERTICAL FOOT
 BOTTOM: 19097#

NOTES:

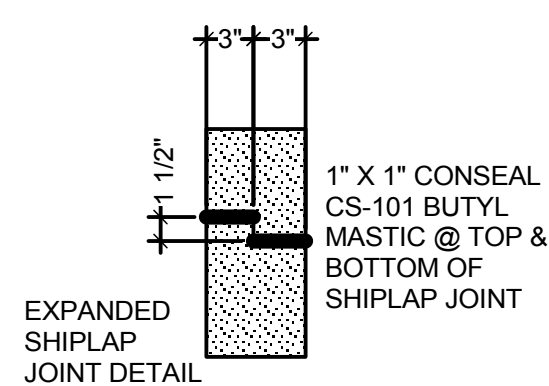
- 1043 GALLONS/VERTICAL FOOT CAPACITY.
 - ON-SITE CRANE SUPPLIED BY CONTRACTOR (20,000# PICK TO CENTER OF EXCAVATION)
 - WIDE FLANGE INSTALL (IF REQ'D) BY CONTRACTOR
 - TANK IS TO BE BACKFILLED PRIOR TO FILLING.
 - WARRANTY VOID IF FILLED PRIOR TO BACKFILL.
- Wide Flange Not Required If:
- Double Compartment Tanks Only:
1. Tank is 0'0" Below Grade, In Non-Traffic Area and No Groundwater is Present
 2. Tank is 5'0" Below Grade, In Non-Traffic Area and No Groundwater is Present
 3. Tank is 0'0" Below Grade, In Traffic Area and No Groundwater is Present
 4. Tank is 0'0" Below Grade, In Non-Traffic Area and Groundwater is at Grade Max.
6. If Tank is located in Traffic Area with 5'0" Bury and Water @ Grade (3) W16 Beams each long side and (1) W16 Beam each short side and #6 @ 5" O.C. Horiz in the Walls is Required.

Min. Bury Depth For No Uplift Ring Required with Water at Grade

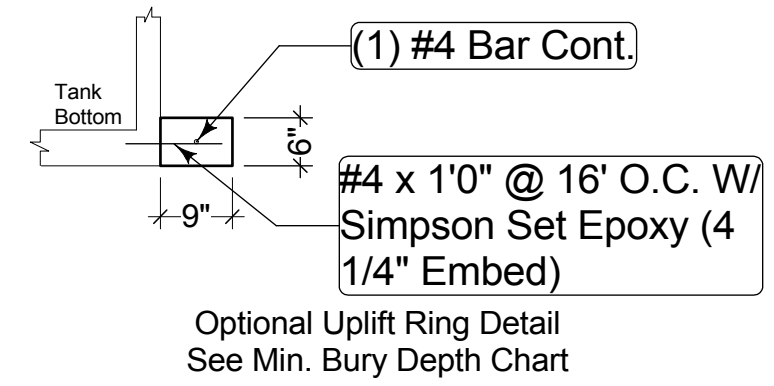
916 Tanks 5'

Min. Bury Depth For No Uplift Ring Required with Water at Top of Tank

916 Tanks 3'



Detail A



Detail B

8000 GALLON PUMP TANK DESIGN
 TRAFFIC BEARING
 PRODUCT # 916-8S

NOTES:

REBAR:
 WALLS: #6 @ 6" O.C. HORIZONTAL
 #4 @ 10" O.C. VERTICAL
 TOP & BOTTOM: #6 @ 6" O.C. SHORT DIRECTION
 #5 @ 12" O.C. LONG DIRECTION
 (2) #5 BAR LONG SIDE OF ACCESS (2) #6 BAR SHORT SIDE

Revision # and Date

Cust. Int.

Drawn By: Dan Newbury Date: 5/5/2011

WILBERT PRECAST, INC

2215 E. BROOKLYN AVE - SPOKANE, WA 99217
 TOLL FREE 1-800-888-4573
 (509) 325-4573 FAX (509)-325-5098
 WILBERTPRECAST.COM
 SPOKANE - LEWISTON - YAKIMA