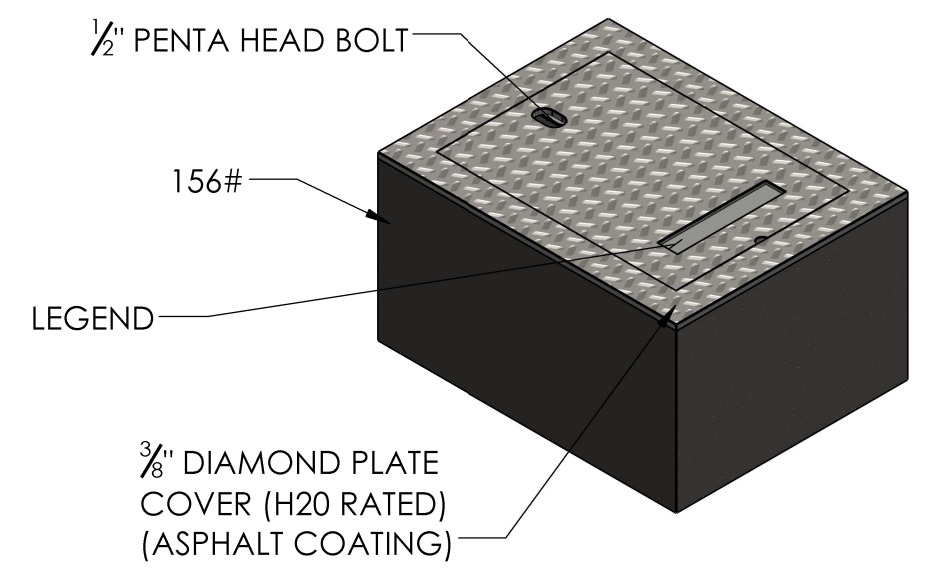
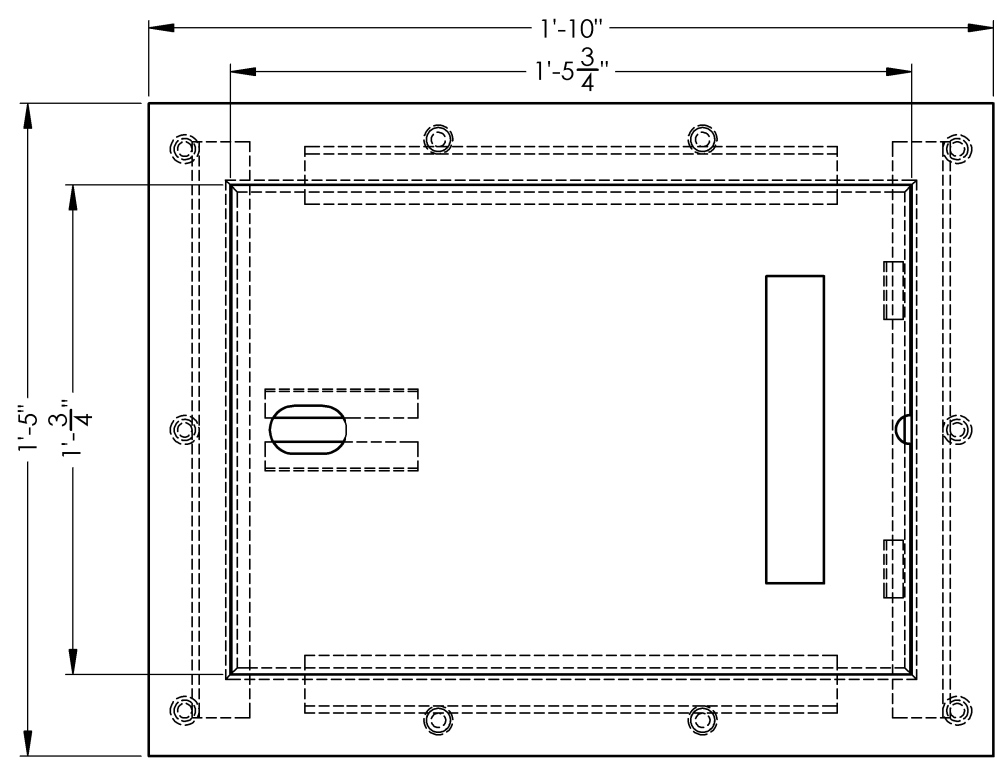


8 7 6 5 4 3 2 1

D



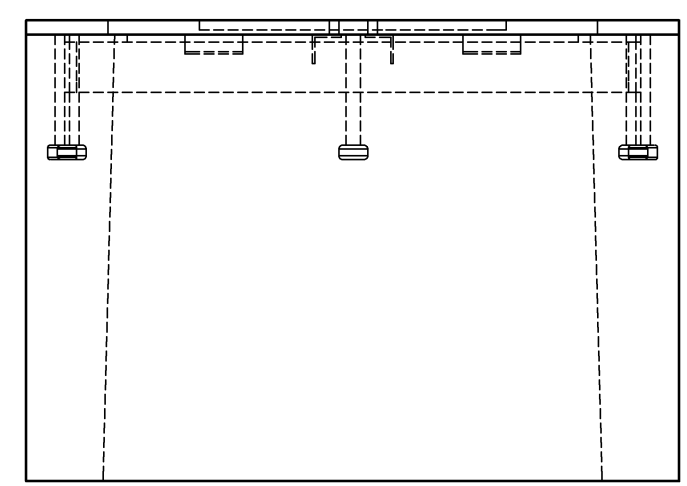
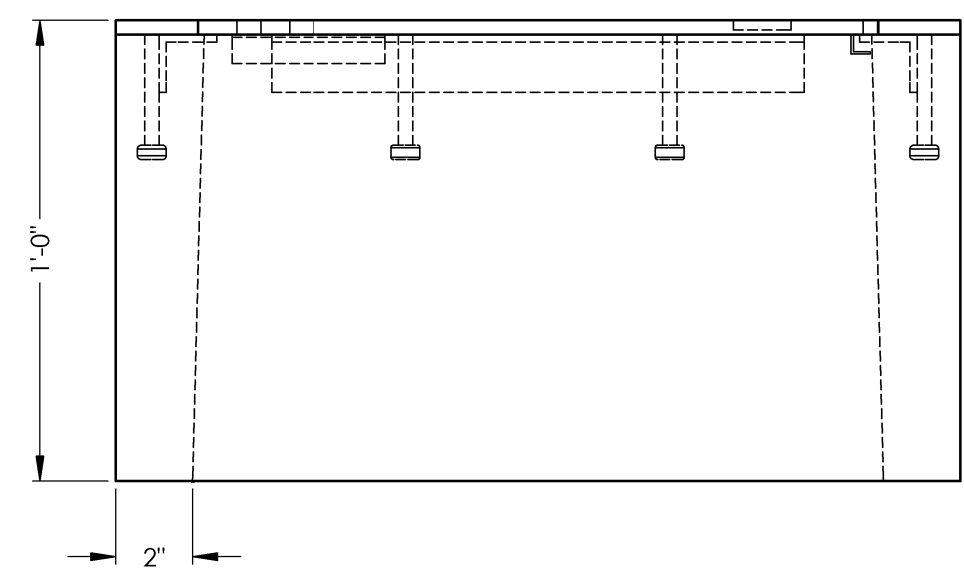
D

C

C

B

B



COATING AVAILABLE
 -ASPHALT (STANDARD)
 -THERMION
 -GALVANIZED

LEGENDS AVAILABLE
 -ELECTRIC (STANDARD)
 -AUDIO
 -POWER
 -COMM

NOTES:
 REINFORCEMENT:
 -7 GA WELDED WIRE MESH
 -3/8 NELSON STUDS
 -100% AMERICAN MADE PRODUCT
 -PENTA BOLT LOCKING



2215 E. BROOKLYN AVE
 SPOKANE, WA 99217
 TOLL FREE 1-800-888-4573
 (509) 325-4573 FAX (509) 325-5098
 SPOKANE - LEWISTON - YAKIMA
 www.wilbertprecast.com

TITLE:		WPJ11-TYPE 1	
SIZE	DWG. NO.	SCALE:	DATE:
B	WPJ11-TYPE 1-ST	NTS	3/3/2023

8 7 6 5 4 3 2 1

A

A