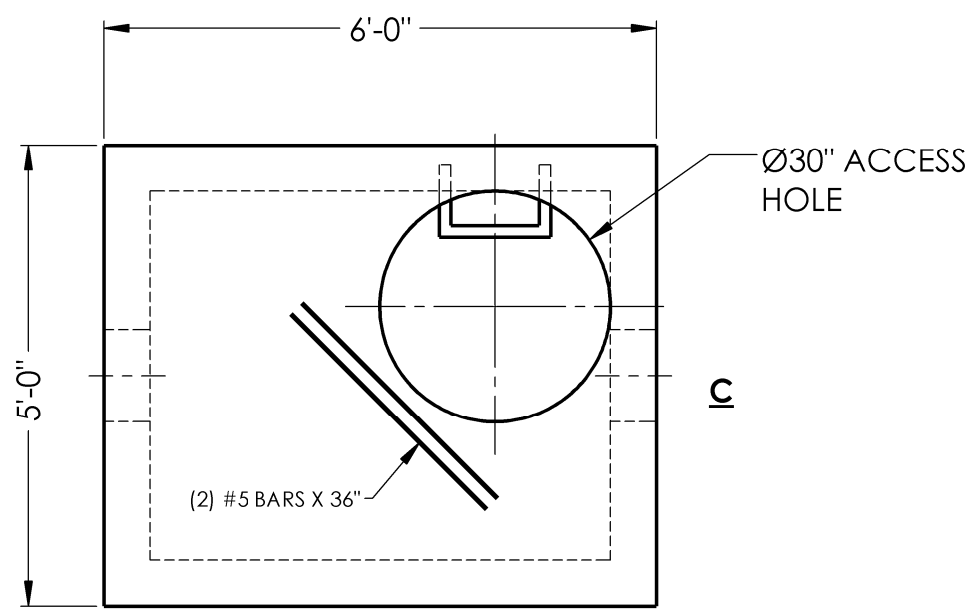


8 7 6 5 4 3 2 1

D

D



A

C

B

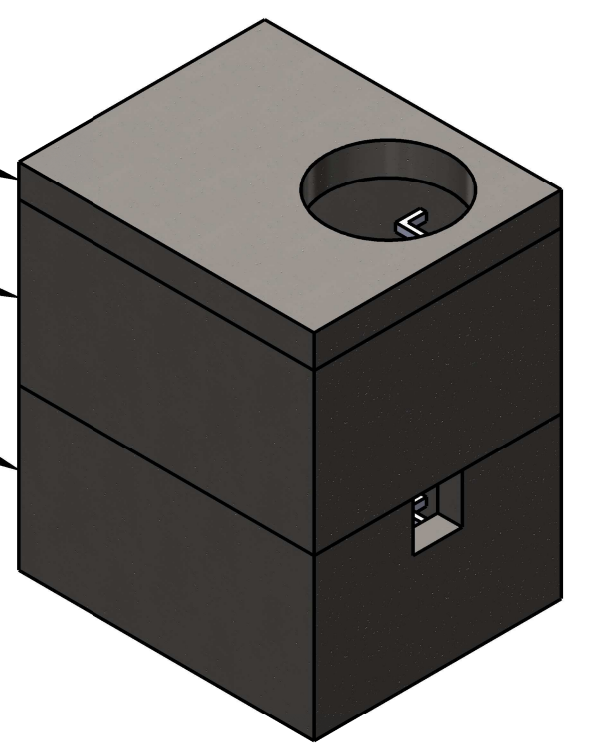
Ø30" ACCESS HOLE

(2) #5 BARS X 36"

WIL405T
2,510#

WIL405W-39
4,872#

WIL405W-39
4,722#

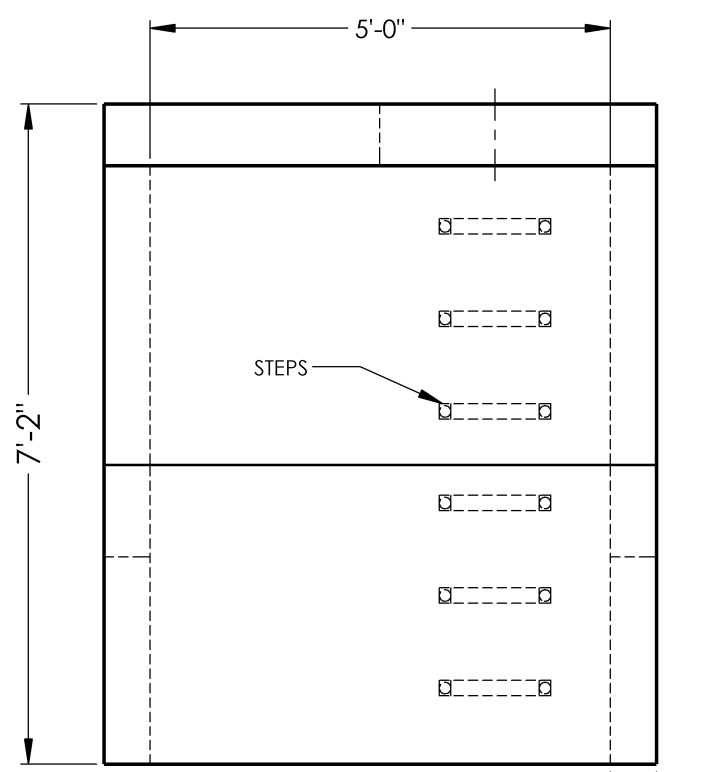


C

C

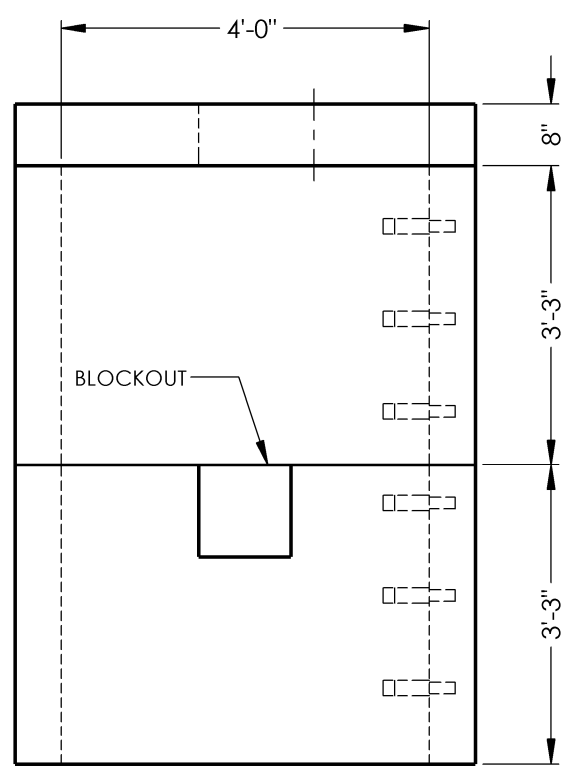
B

B



B

STEPS



C

BLOCKOUT

REINFORCEMENT:

- LID -#5 BAR @ 5" O.C. TRANSVERSE
- #5 BAR @ 12" O.C. LONGITUDINAL (CENTERED IN LID)
- WALLS -#4 BAR @ 9" O.C. VERTICAL (CENTERED)
- #4 BAR @ 8" O.C. HORIZONTAL (INSIDE OF VERTICALS)
- ****HS-20 LOADING MAX BURY (5'-0") AS PER "AASHTO" STANDARDS****



2215 E. BROOKLYN AVE
SPOKANE, WA 99217
TOLL FREE 1-800-888-4573
(509) 325-4573 FAX (509) 325-5098
SPOKANE - LEWISTON - YAKIMA
www.wilbertprecast.com

TITLE: METER VAULT 4'-0" X 5'-0"
HS-20 LOADING

SIZE B	DWG. NO. WIL405	SCALE: NTS	DATE: 10/1/2020
------------------	--------------------	---------------	--------------------

DRAWN BY:
DCR

8 7 6 5 4 3 2 1