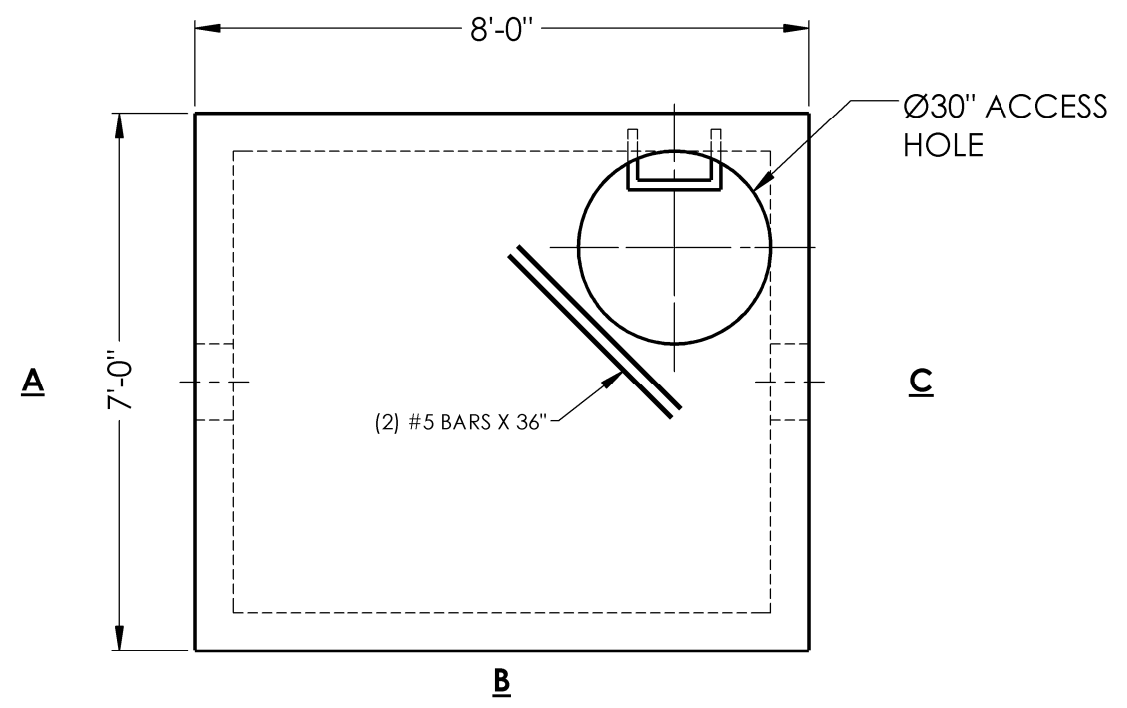


D

C

B

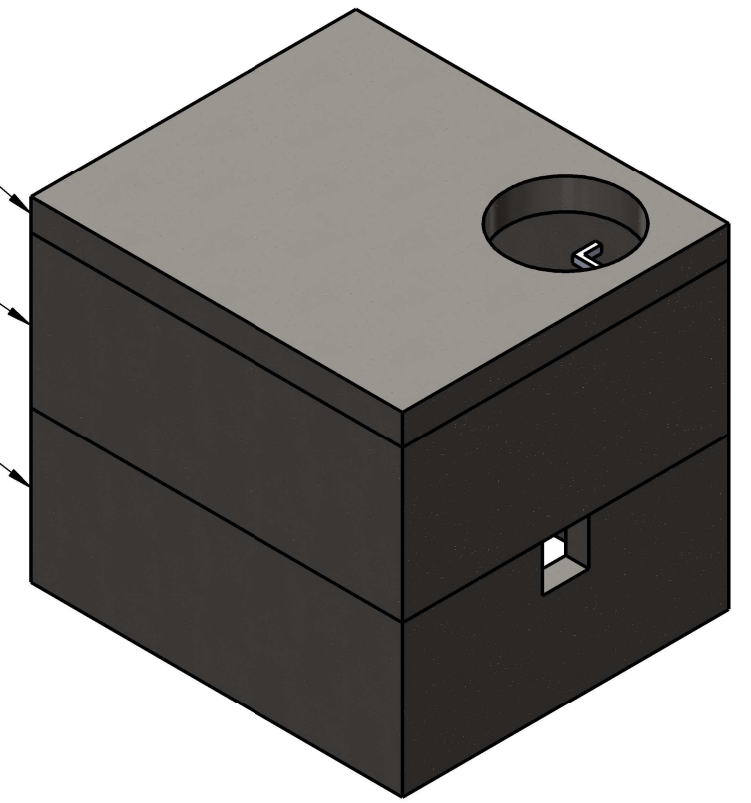
A



WIL607T
5109.13#

WIL607W-39
6821.89#

WIL607W-39
6671.89#

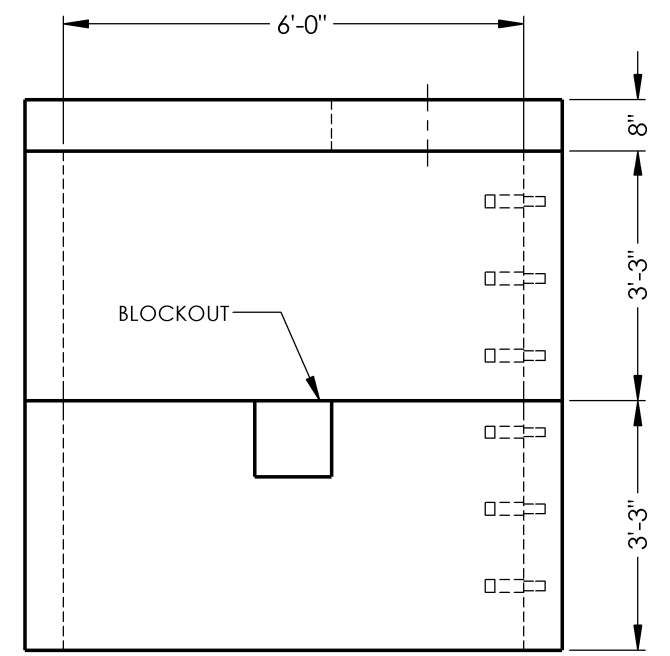
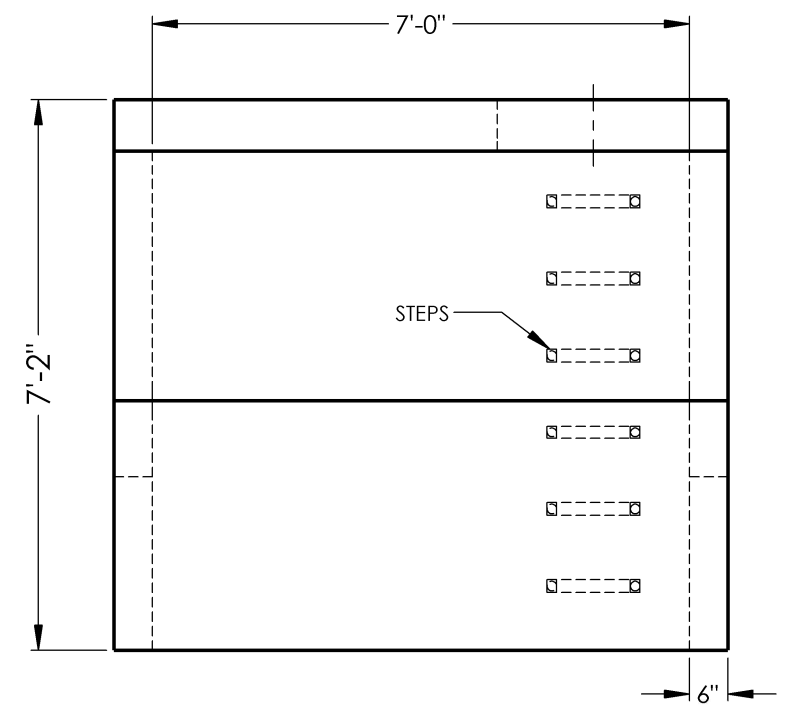


D

C

B

A



REINFORCEMENT:

-LID	-#5 BAR @ 5" O.C. TRANSVERSE
	-#5 BAR @ 9" O.C. LONGITUDINAL (CENTERED IN LID)
-WALLS	-#4 BAR @ 9" O.C. VERTICAL
	-#5 BAR @ 8" O.C. HORIZONTAL (2" CLR FROM INSIDE)
****HS-20 LOADING MAX BURY DEPTH (5'-0") AS PER "AASHTO" STANDARDS****	



2215 E. BROOKLYN AVE
SPOKANE, WA 99217
TOLL FREE 1-800-888-4573
(509) 325-4573 FAX (509) 325-5098
SPOKANE - LEWISTON - YAKIMA
www.wilbertprecast.com

TITLE:		METER VAULT 6'-0" X 7'-0" HS-20 LOADING	
SIZE	DWG. NO.	SCALE:	DATE:
B	WIL607	NTS	10/2/2020

DRAWN BY:
DCR