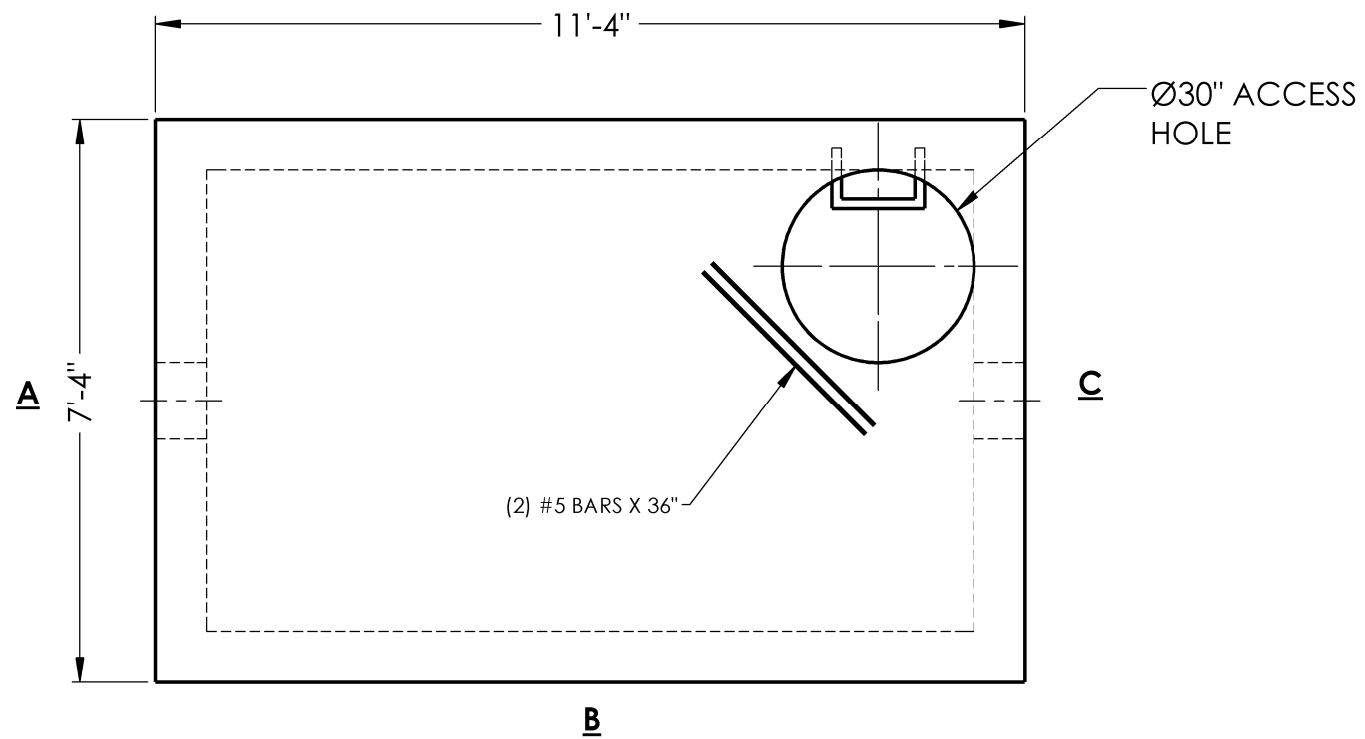


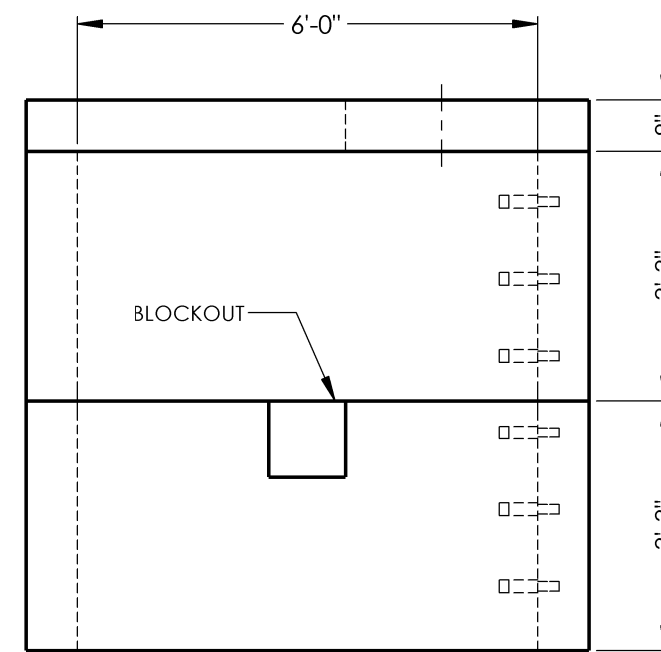
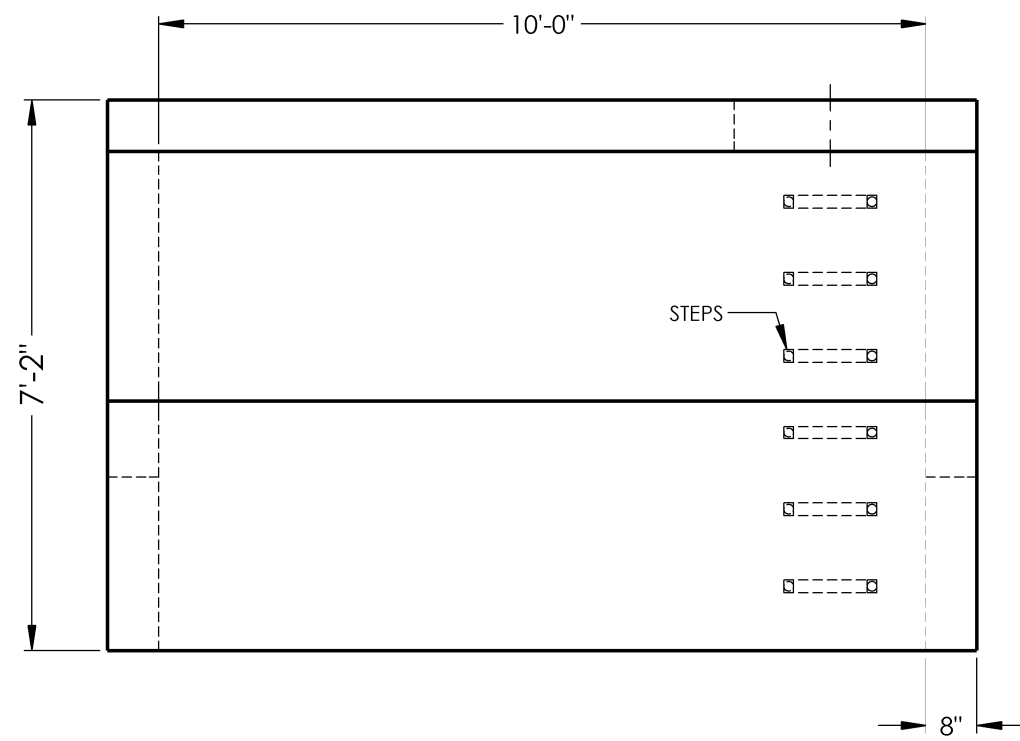
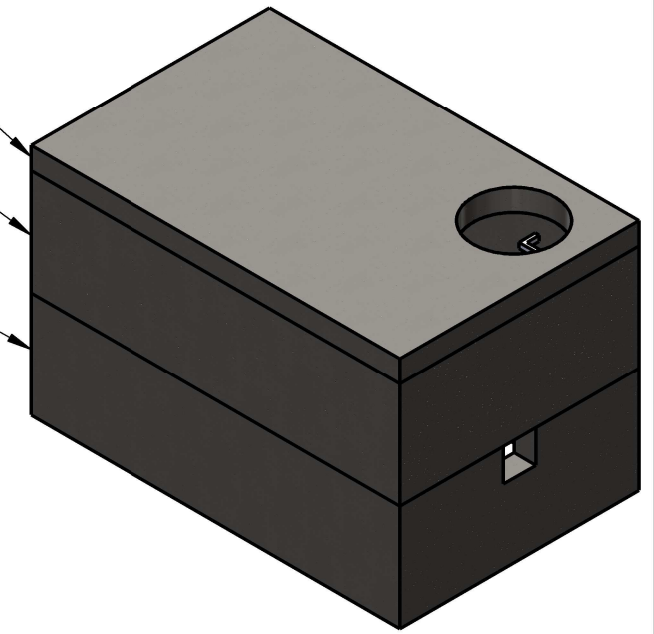
8 7 6 5 4 3 2 1



WIL610T
7,820#

WIL610W-39
11,270#

WIL610W-39
11,070#



B

C

REINFORCEMENT:

- LID**
 - #5 BAR @ 5" O.C. TRANSVERSE
 - #5 BAR @ 9" O.C. LONGITUDINAL (CENTERED IN LID)
- WALLS**
 - #4 BAR @ 12" O.C. VERTICAL
 - #5 BAR @ 6" O.C. HORIZONTAL (2" CLR FROM INSIDE)

******HS-20** LOADING MAX BURY (5'-0") AS PER "AASHTO" STANDARDS****



**2215 E. BROOKLYN AVE
SPOKANE, WA 99217
TOLL FREE 1-800-888-4573
(509) 325-4573 FAX (509) 325-5098
SPOKANE - LEWISTON - YAKIMA
www.wilbertprecast.com**

DRAWN BY:
DCR

TITLE:

METER VAULT 6'-0" X 10'-0"
HS-20 LOADING

SIZE

B

DWG. NO.

WIL610

SCALE:

NTS

DATE:

10/1/2020

8 7 6 5 4 3 2 1