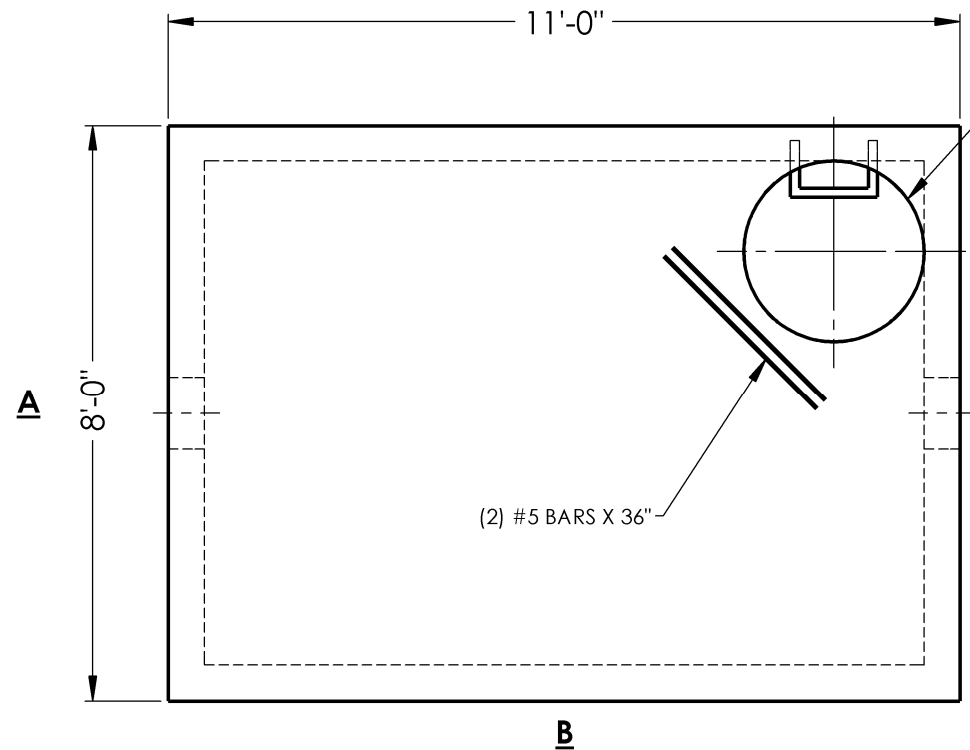


8 7 6 5 4 3 2 1



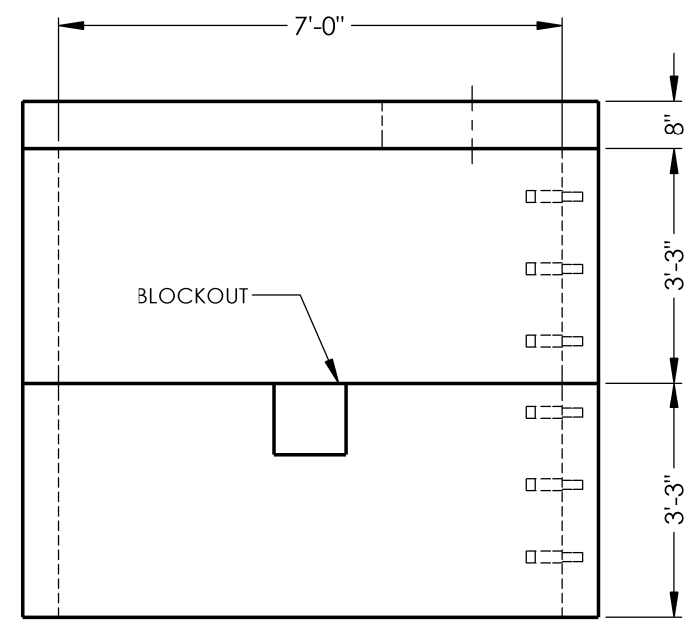
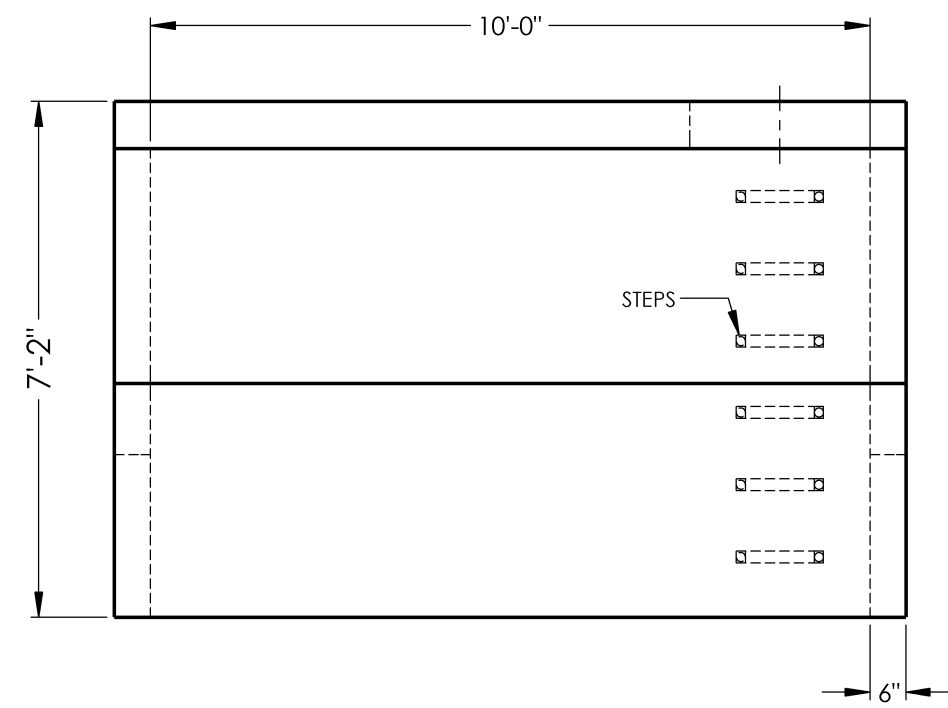
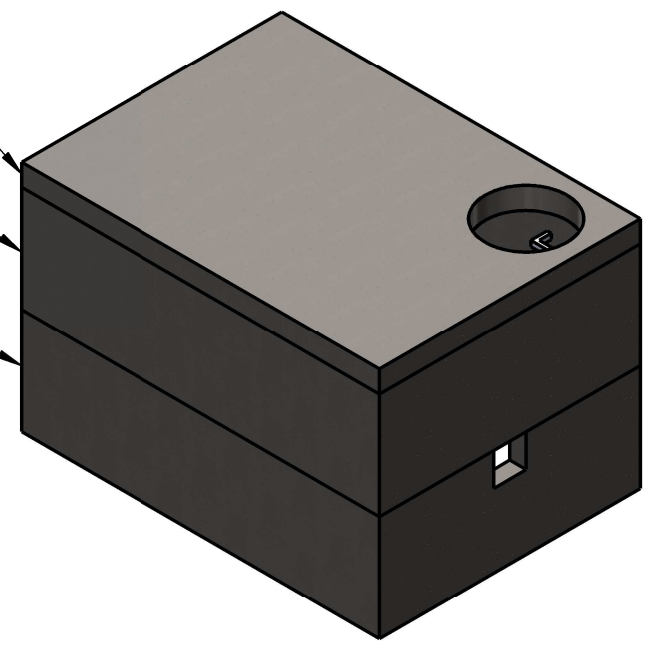
Ø30" ACCESS HOLE

(2) #5 BARS X 36"

WIL710T
8,309#

WIL710W-39
8,772#

WIL710W-39
8,622#



REINFORCEMENTS:

-LID	-#5 BAR @ 5" O.C. TRANSVERSE -#5 BAR @ 8" O.C. LONGITUDINAL (CENTER IN LID)
-WALLS	-#4 BAR @ 12" O.C. VERTICAL -#5 BAR @ 6" O.C. HORIZONTAL (2" CLR FROM INSIDE)

****HS-20 LOADING MAX BURY (5'-0") AS PER "AASHTO" STANDARDS****



**2215 E. BROOKLYN AVE
SPOKANE, WA 99217
TOLL FREE 1-800-888-4573
(509) 325-4573 FAX (509) 325-5098
SPOKANE - LEWISTON - YAKIMA
www.wilbertprecast.com**

TITLE:		METER VAULT 7'-0" X 10'-0" HS-20 LOADING	
SIZE	DWG. NO.	SCALE:	DATE:
B	WIL710	NTS	10/1/2020

DRAWN BY:
DCR

8 7 6 5 4 3 2 1