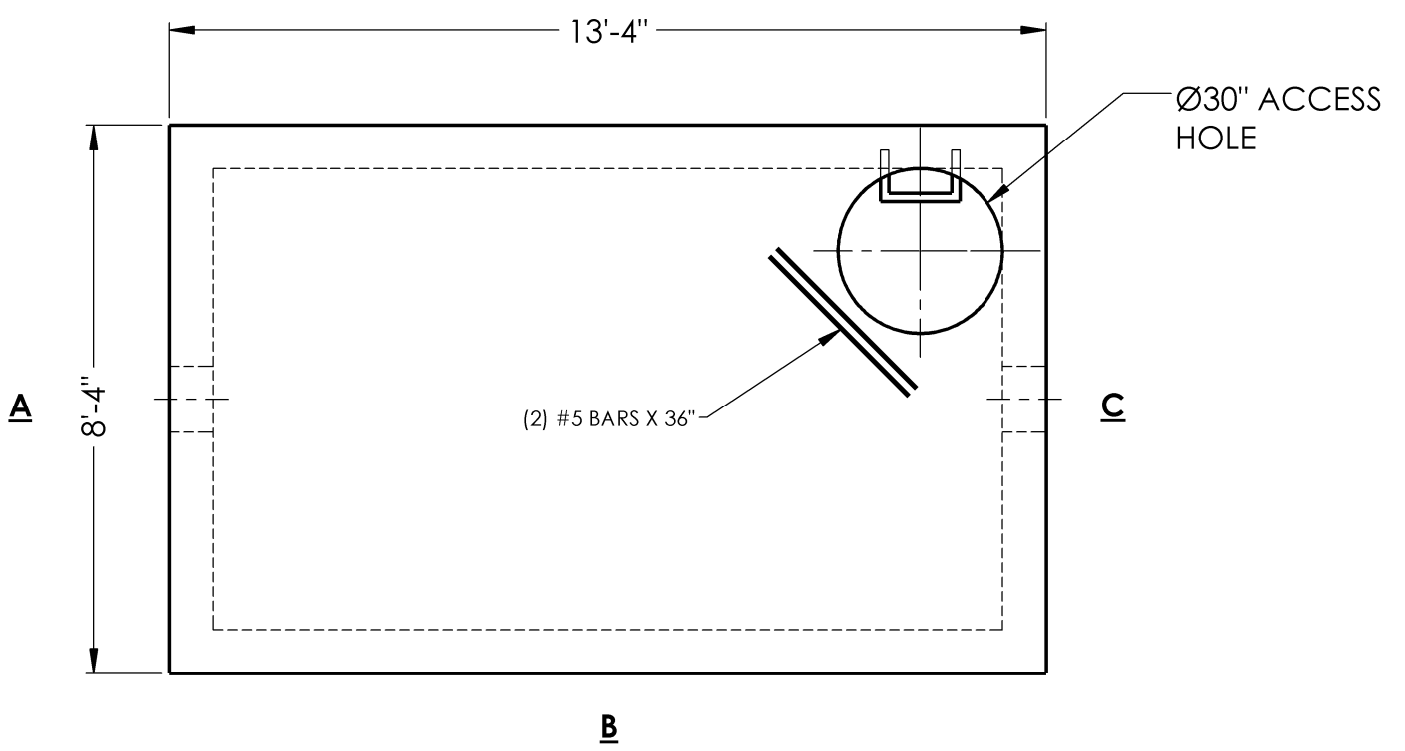


8 7 6 5 4 3 2 1

D

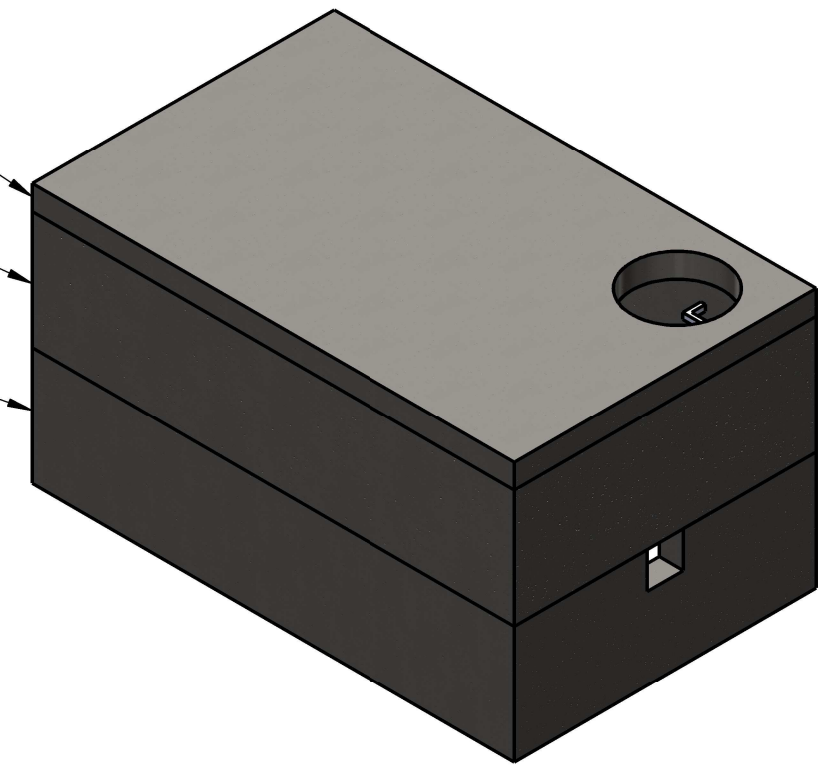
D



WIL712T
10,620#

WIL712W39
13,220#

WIL712W39
13,020#

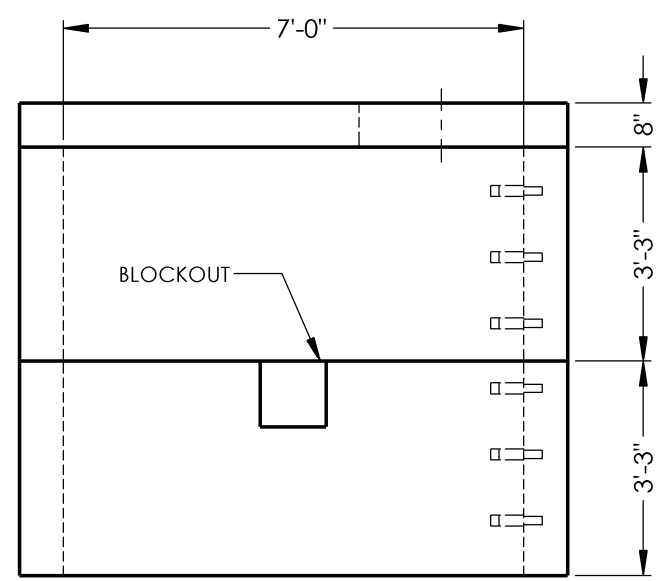
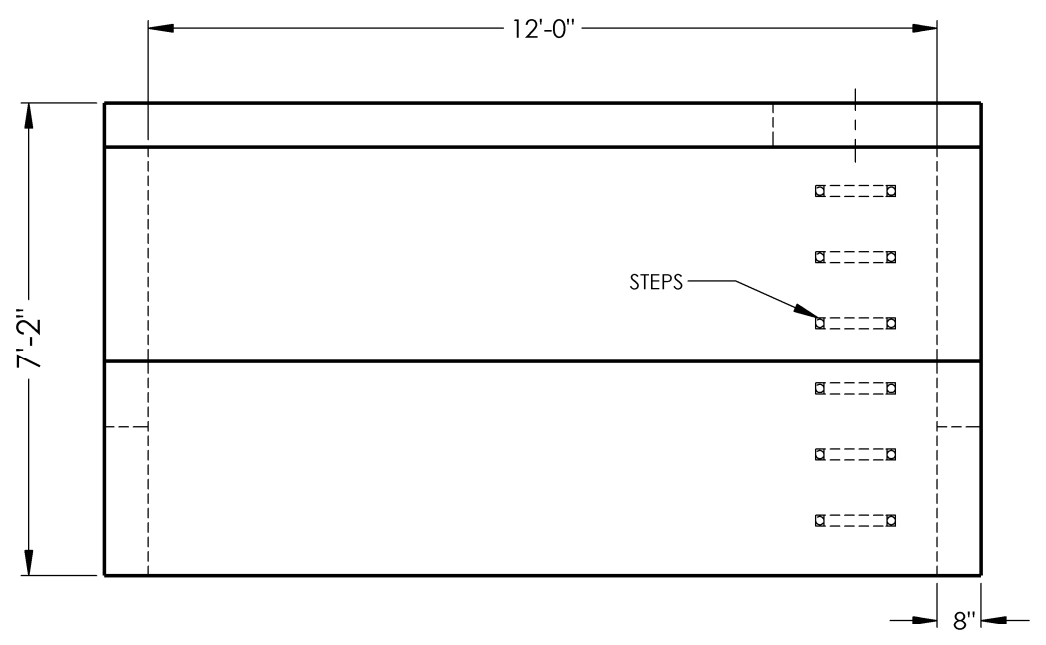


C

C

B

B



B

C

REINFORCEMENT:

- LID -#5 BAR @ 5" O.C. TRANSVERSE
- #5 BAR @ 8" O.C. LONGITUDINAL (CENTERED IN LID)
- WALLS -#4 BAR @ 9" O.C. VERTICAL
- #6 BAR @ 6" O.C. HORIZONTAL (2" CLR FROM INSIDE)
- ****HS-20 LOADING MAX BURY (5'-0") AS PER "AASHTO" STANDARDS****



**2215 E. BROOKLYN AVE
SPOKANE, WA 99217
TOLL FREE 1-800-888-4573
(509) 325-4573 FAX (509) 325-5098
SPOKANE - LEWISTON - YAKIMA
www.wilbertprecast.com**

TITLE: SPECIAL METER VAULT 7'-0" X 12'-0"
HS-20 LOADING

SIZE B	DWG. NO. WIL712	SCALE: NTS	DATE: 10/1/2020
-------------------------	---------------------------	----------------------	---------------------------

DRAWN BY:
DCR

8 7 6 5 4 3 2 1