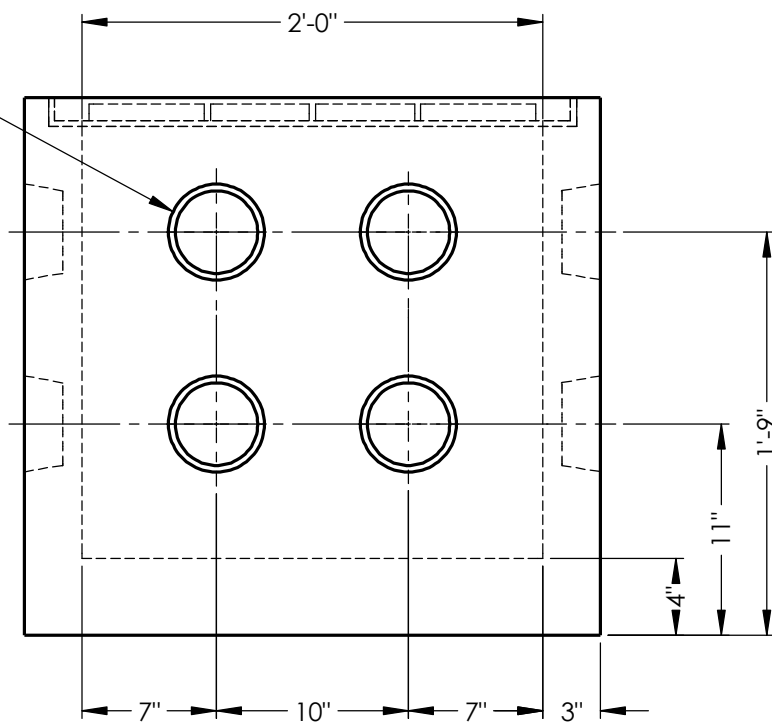
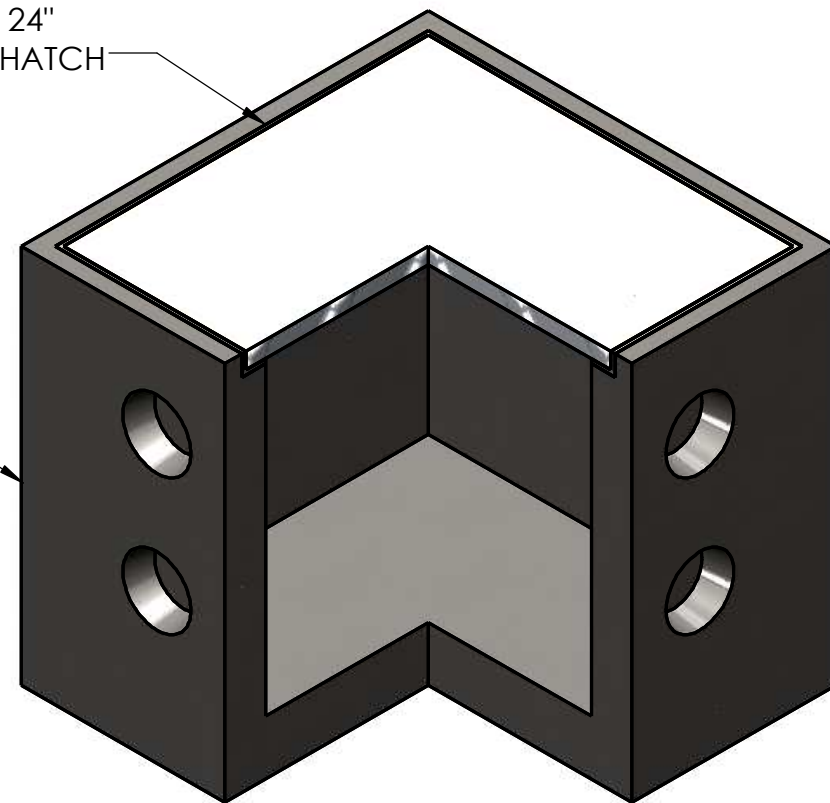


(4) Ø5" KNOCKOUTS
EACH SIDE



U.S.F. UFCS 16K 24" X 24"
ALUMINUM ACCESS HATCH

894#



NOTES:
REINFORCEMENT:
-#4 BAR THROUGHOUT
-H20 RATED



2215 E. BROOKLYN AVE
SPOKANE, WA 99217
TOLL FREE 1-800-888-4573
(509) 325-4573 FAX (509) 325-5098
SPOKANE - LEWISTON - YAKIMA
www.wilbertprecast.com

DRAWN BY:
DCR

TITLE:

WP2424BHS

SIZE

B

DWG. NO.

WP2424BHS

SCALE:

NTS

DATE:

11/14/2019