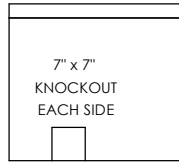


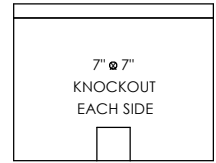


2215 E. BROOKLYN AVE - SPOKANE, WA 99217  
 TOLL FREE 1-800-888-4573  
 (509) 325-4573 FAX (509) 325-5098  
 SPOKANE - LEWISTON - YAKIMA  
[www.wilbertprecast.com](http://www.wilbertprecast.com)

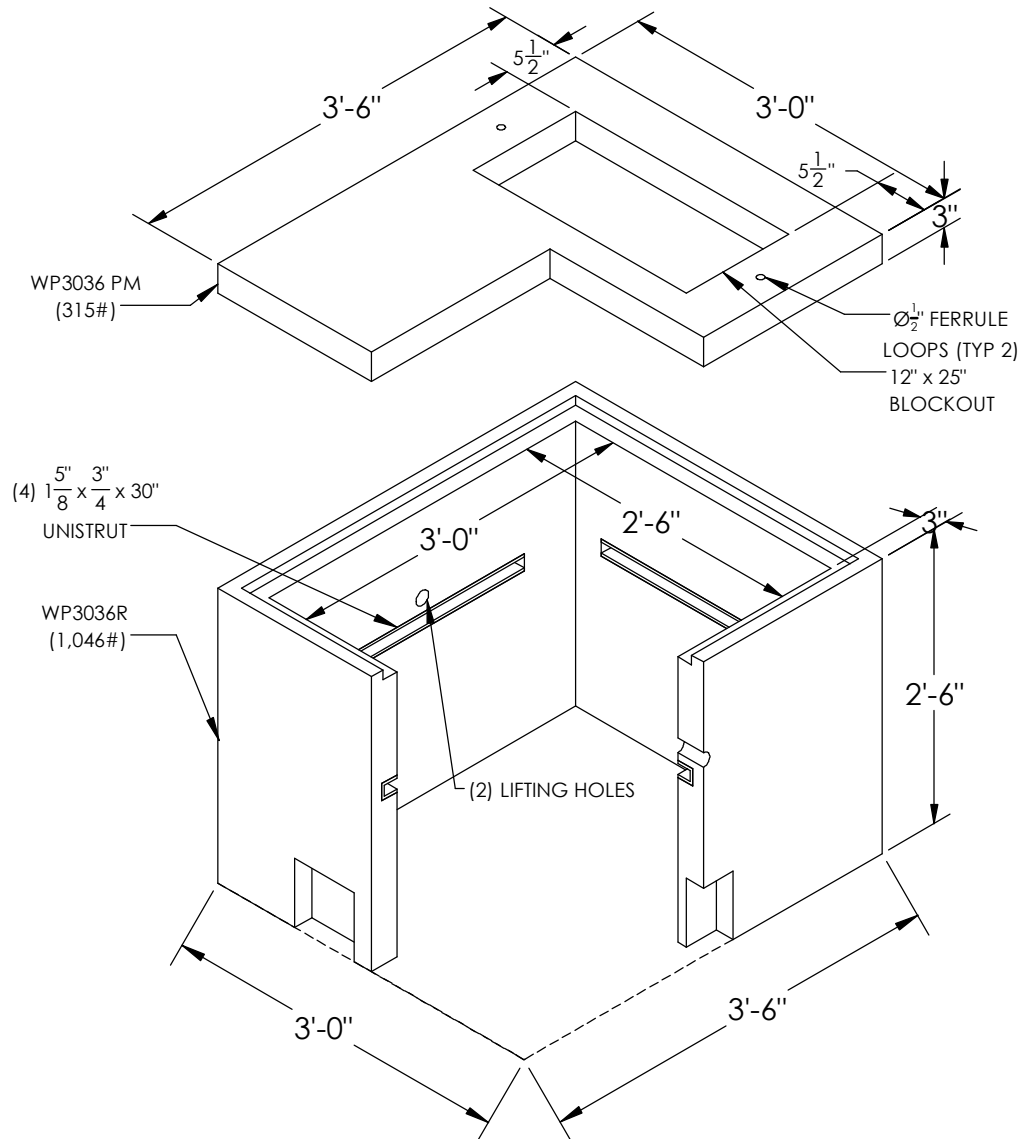


**FRONT & BACK VIEW**

**TOTAL HEIGHT: 3'-0"**



**SIDE VIEW**



**NOTES:**

- ~ REINFORCEMENT
  - #4 BAR VERTICAL TYP.
  - #5 BAR (2 PCS HORIZONTAL)
- ~ H20 RATED FOR INCIDENTAL TRAFFIC ONLY

**\*GROUND RODS AVAILABLE UPON REQUEST**

**HANDHOLE RISER WITH HATCH**

MODEL #:

**WP3036R**