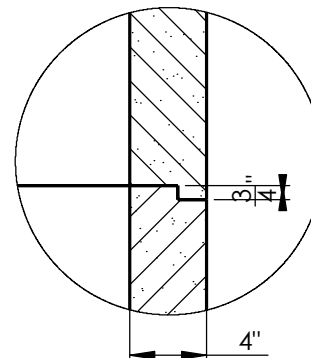
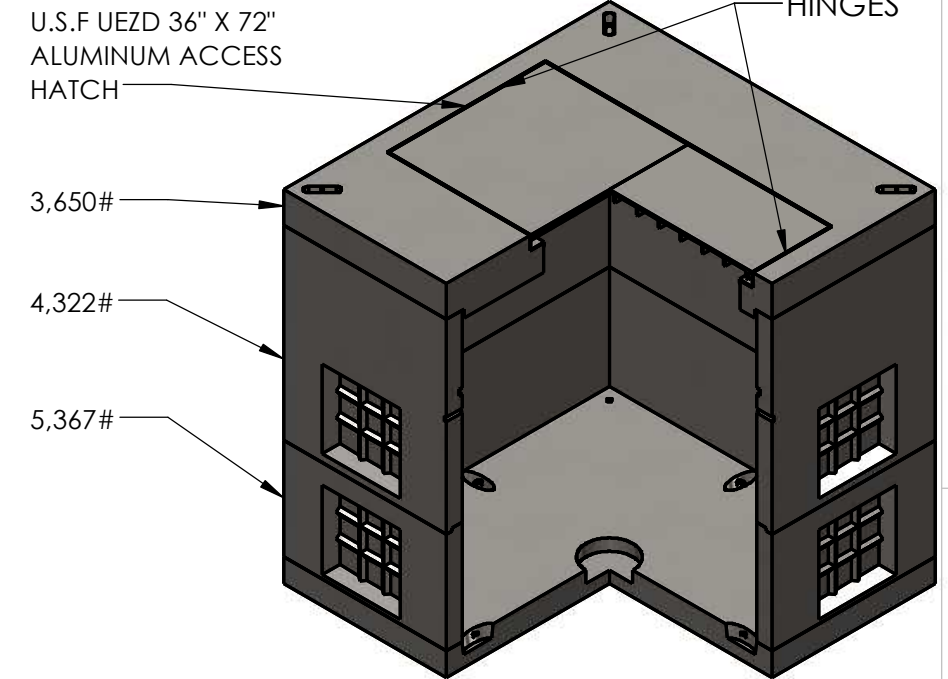


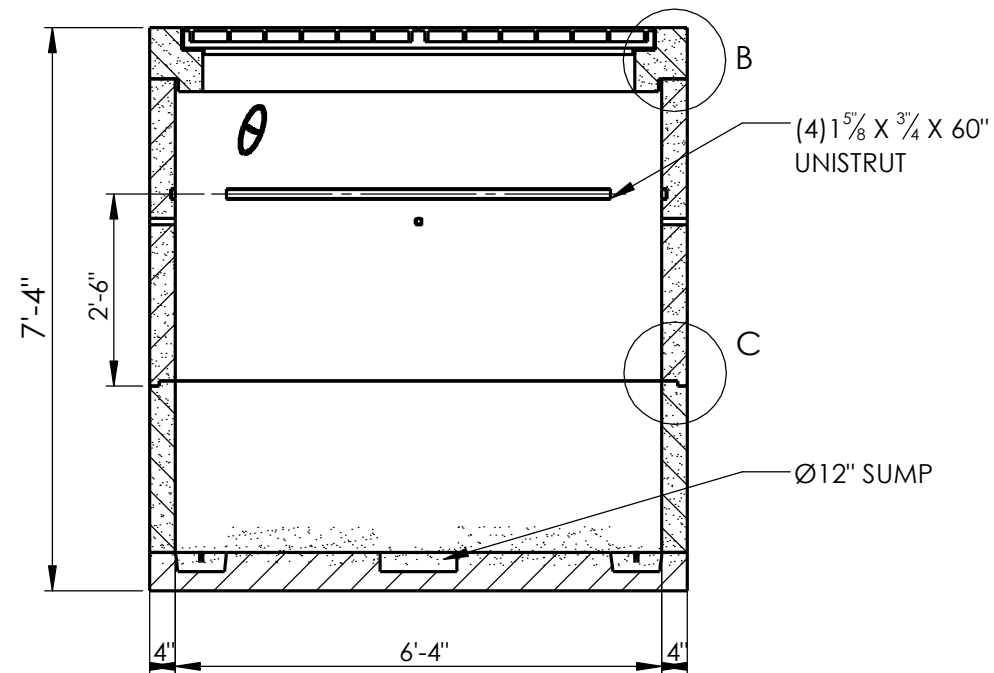
LID SHIPLAP
DETAIL B



WALL SHIPLAP
DETAIL C



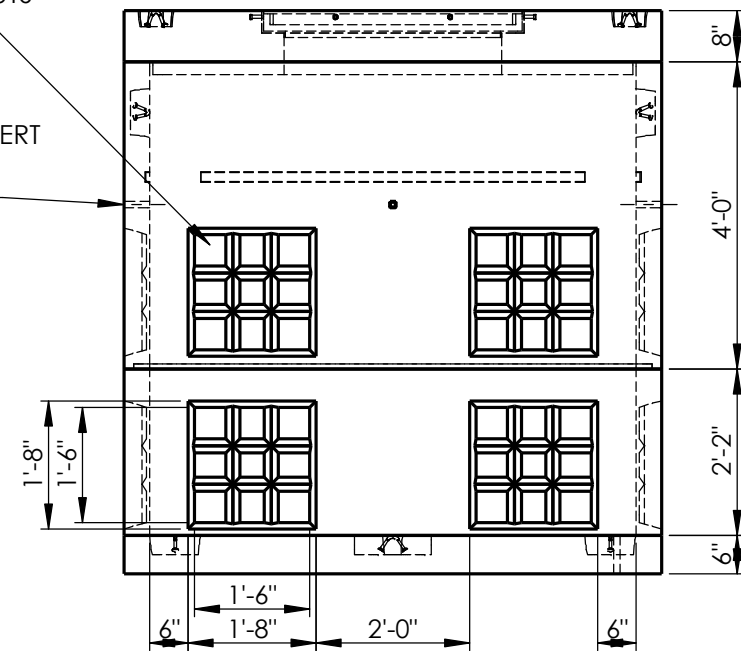
NOTE:
 -DAYTON SUPERIOR 4UA-444'S LIFTING EMBEDS
 -(4) LOCATED IN LID
 -(2) LOCATED IN THE 4' RISER
 -(4) LOCATED IN BASE



SECTION A-A

6" X 6" KNOCKOUTS
EACH WALL

GROUNDING INSERT
(2) INTERNAL
(2) EXTERNAL



NOTES:



2215 E. BROOKLYN AVE
 SPOKANE, WA 99217
 TOLL FREE 1-800-888-4573
 (509) 325-4573 FAX (509) 325-5098
 SPOKANE - LEWISTON - YAKIMA
 www.wilbertprecast.com

DRAWN BY:
DCR

TITLE:

WP772B, 774R, 77THS

SIZE

B

DWG. NO.

WP777

SCALE:

NTS

DATE:

11/13/2019