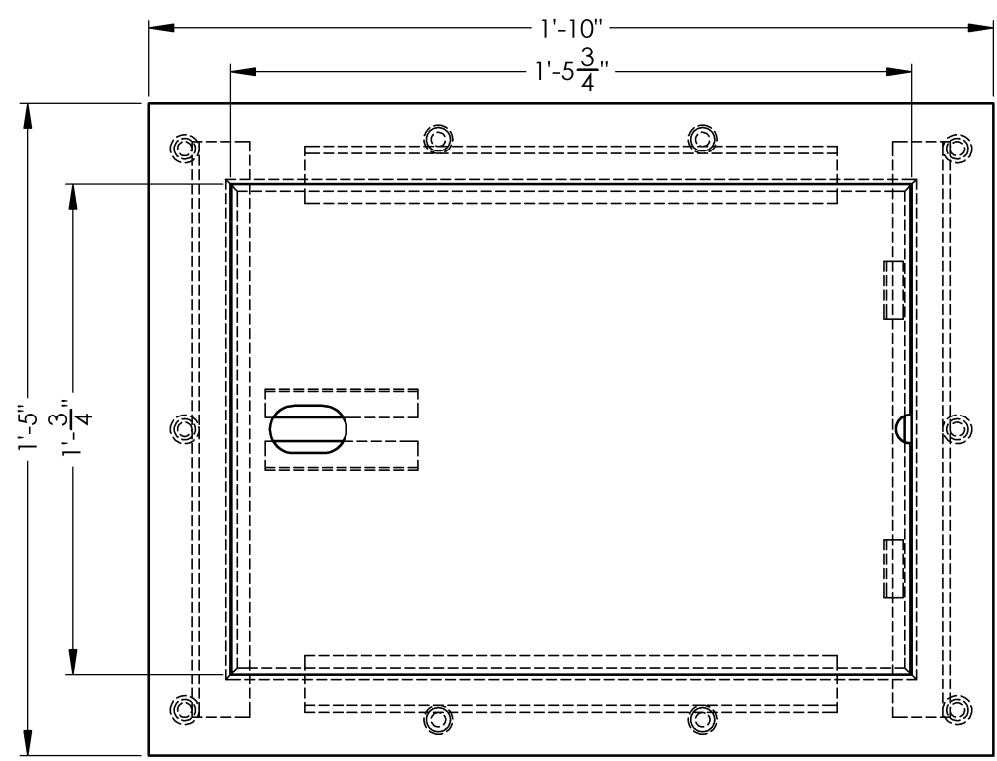


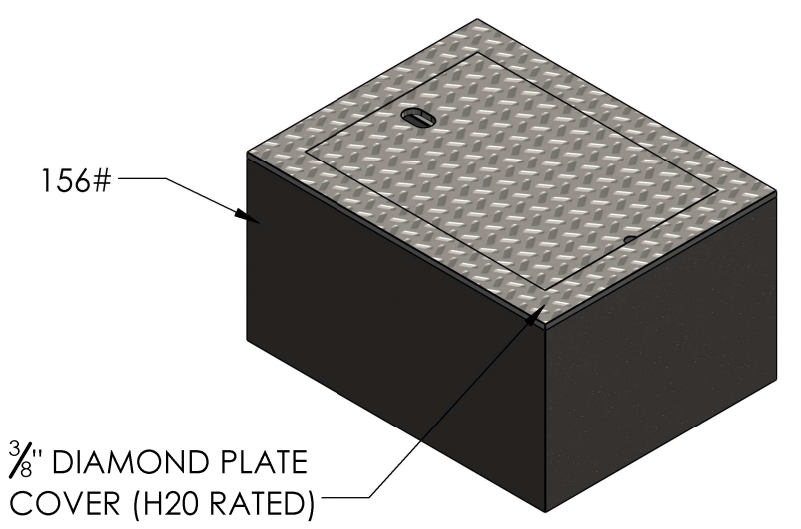
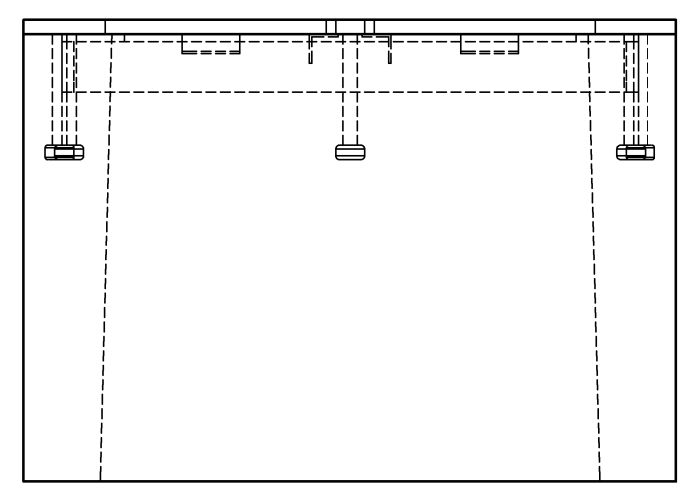
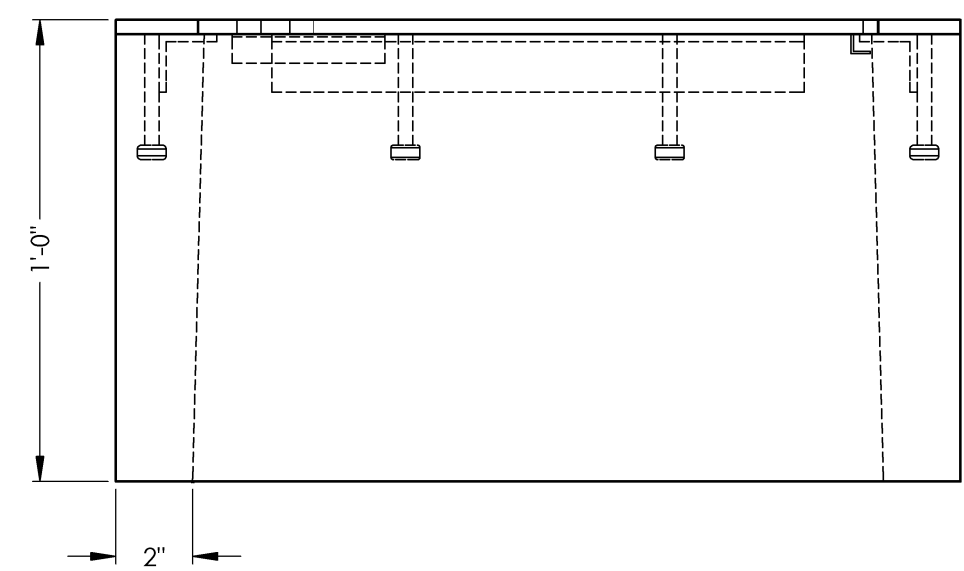
8 7 6 5 4 3 2 1

D



C

B



D

C

B

**NOTES:**  
 REINFORCEMENT:  
 -7 GA WELDED WIRE MESH  
 -3/8 NELSON STUDS  
 -100% AMERICAN MADE PRODUCT  
 -PENTA BOLT LOCKING



2215 E. BROOKLYN AVE  
 SPOKANE, WA 99217  
 TOLL FREE 1-800-888-4573  
 (509) 325-4573 FAX (509) 325-5098  
 SPOKANE - LEWISTON - YAKIMA  
 www.wilbertprecast.com

TITLE:		WPJ11-TYPE 1		
SIZE	DWG. NO.	SCALE:	DATE:	
<b>B</b>	WPJ11-TYPE 1-ST	NTS	7/29/2020	
REV:	DRAWN FOR:	DRAWN BY:	DCR	

8 7 6 5 4 3 2 1

A

A