

8 7 6 5 4 3 2 1

D

C

B

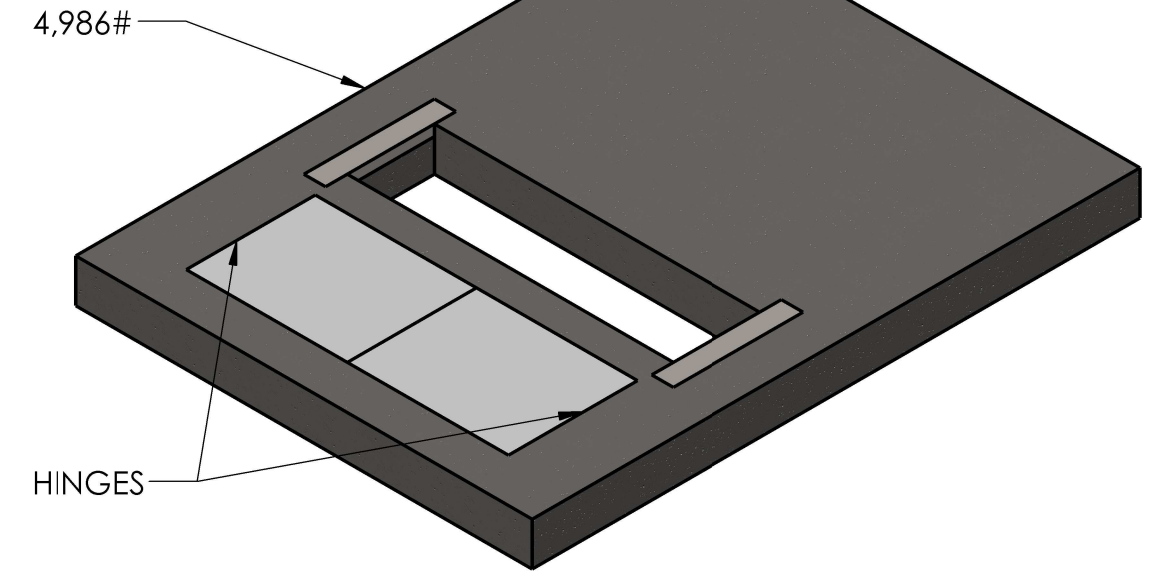
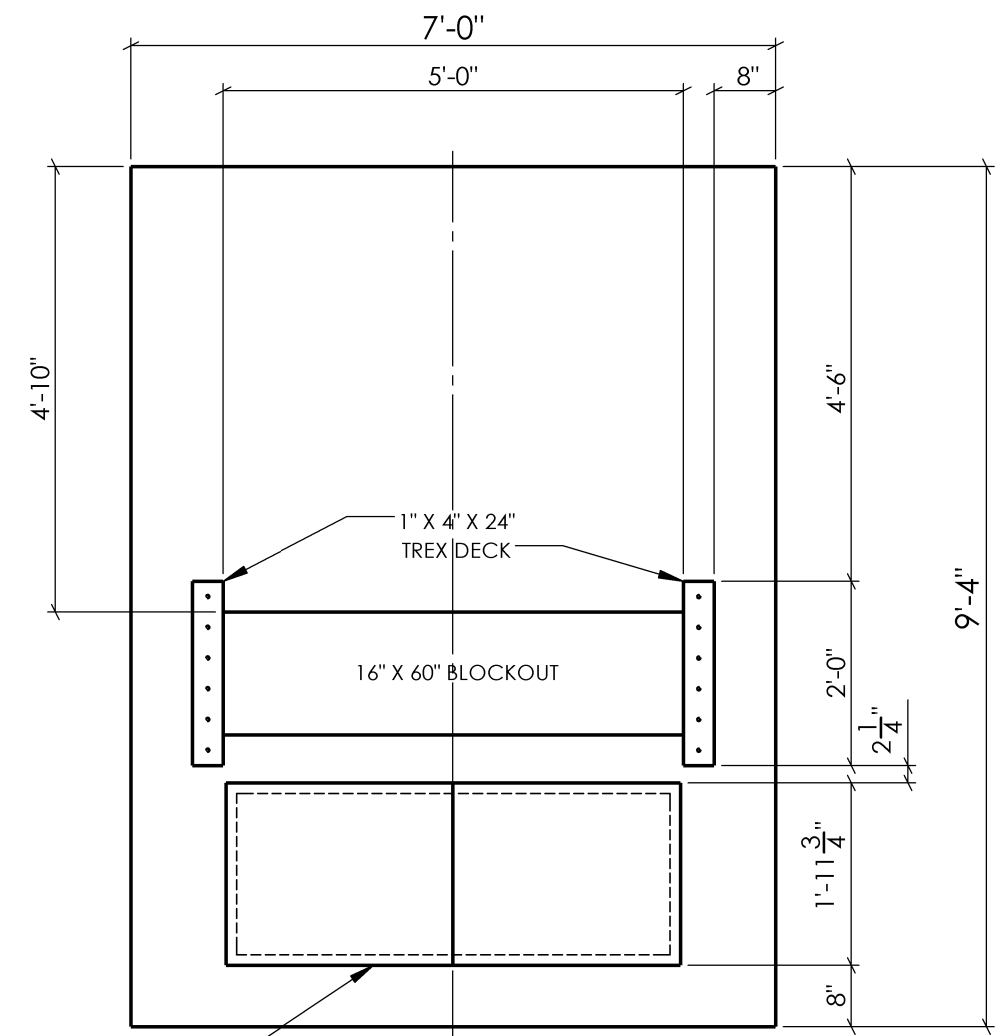
A

D

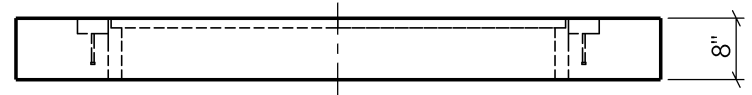
C

B

A



U.S.F. UEZD 3672 HATCH



NOTES:
 REINFORCEMENT:
 -#4 BAR @ 6" O.C.E.W.



2215 E. BROOKLYN AVE
 SPOKANE, WA 99217
 TOLL FREE 1-800-888-4573
 (509) 325-4573 FAX (509) 325-5098
 SPOKANE - LEWISTON - YAKIMA
 www.wilbertprecast.com

DRAWN BY:
 DCR

TITLE:		WP79 PM	
SIZE	DWG. NO.	SCALE:	DATE:
B	WP79 PM	NTS	7/26/2019

8 7 6 5 4 3 2 1