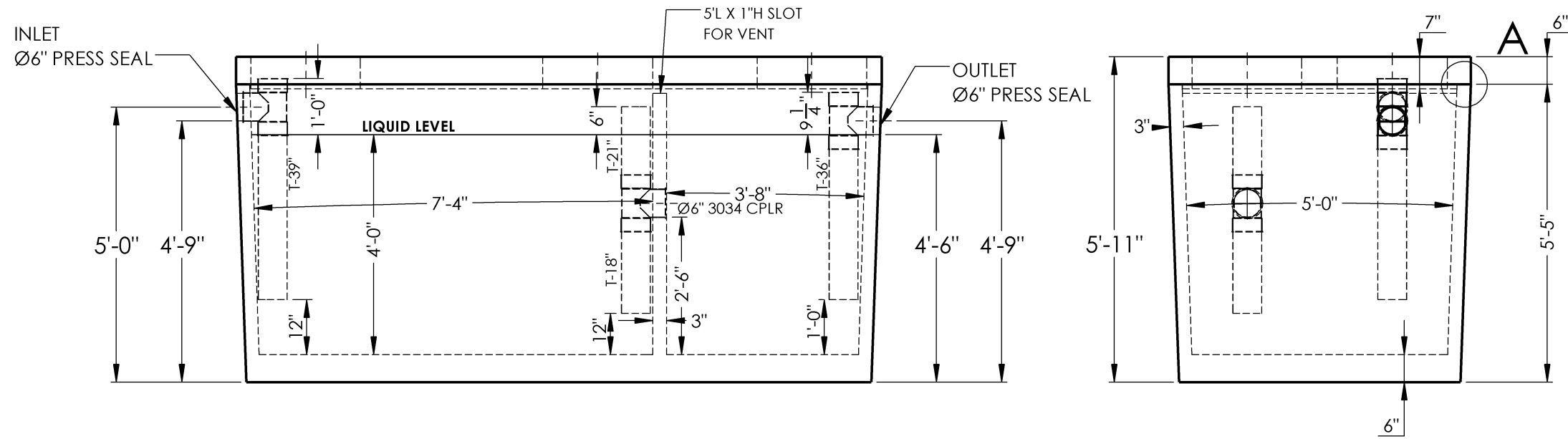
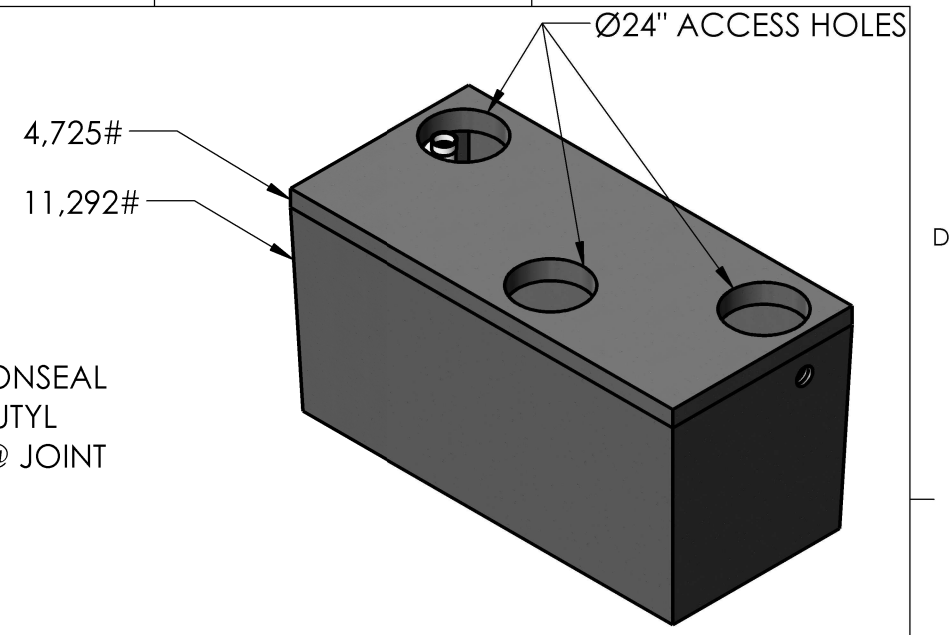


JOINT DETAIL A



- CONCRETE:**  
TANK CONSTRUCTION UTILIZES 4000 PSI CONCRETE AND GRADE 60 REBAR.
- GALLON CALCS:**  
5'-0"W x 7'-4"L x 4'-0"H x 7.48 = 1096 GALLONS  
5'-0"W x 3'-8"L x 4'-0"H x 7.48 = 548 GALLONS
- RISERS:**  
PVC : Ø24" & FIB. COVER (TO GRADE)  
CONCRETE: Ø24" x 8" OR 12" (6" BELOW GRADE)
- BEDDING :**  
4" PEA GRAVEL OR COMPACTED CRUSHED GRAVEL (NO WATER PRESENT)
- EXCAVATION:**  
12" LARGER EACH WAY THAN TANK DIM.  
MAX COVER ON TOP 3'-0"

**NOTES:**  
REINFORCEMENT:  
-#5 BARS @ 6" O.C.E.W. IN TOP, (2)  
#4 EACH SIDE OF ACCESS  
-6X6 10 GA WIRE MESH IN SIDES UP 12" FROM BOTTOM  
-6X6 10 GA WIRE MESH IN BOTTOM  
-#3 BAR 12" DOWN FROM TOP  
HORIZONTAL CONTINUOUS LOOP



2215 E. BROOKLYN AVE  
SPOKANE, WA 99217  
TOLL FREE 1-800-888-4573  
(509) 325-4573 FAX (509) 325-5098  
SPOKANE - LEWISTON - YAKIMA  
www.wilbertprecast.com

DRAWN BY:  
DCR

TITLE:		1500 GALLON DOUBLE COMPARTMENT MONO GREASE INTERCEPTOR - HEAVY	
SIZE	DWG. NO.	SCALE:	DATE:
<b>B</b>	#1634MGTBWA 6"	NTS	2/24/2023